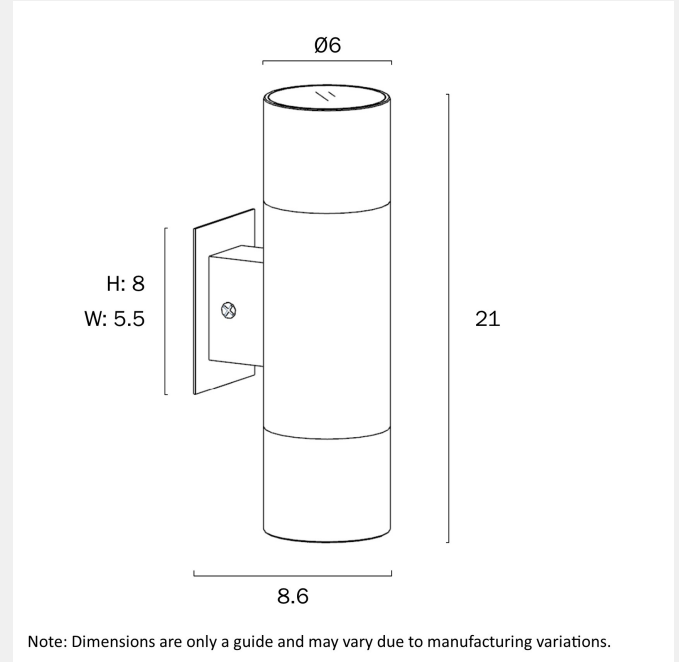


## WALSH TWIN EXTERIOR WALL LIGHT



### LIGHT SOURCE

**Voltage Input**

240V

**Total Wattage (max)**

12

**Globe Type**

GU10

**Globe / Light Source qty**

2

**Globe / Light Source included**

No

**Dimmable**

Globe Dependant

### SPECIFICATIONS

**Lead and Plug**

No

**IP rating**

IP65

**Electrical Protection**

CLASS II - DOUBLE INSULATED, EARTH NOT REQUIRED

**Mounting**

Surface

### COLOUR AND MATERIAL

**Fixture Material**

Solid Brass or 316 Stainless Steel, Glass

**Diffuser Material**

Glass

**Fixture Color**

Antique Brass

**Glass Color**

Clear

### PRODUCT DIMENSIONS

**Fixture Weight (Kg)**

1

**Fixture Height (cm)**

21

**Fixture Width (cm)**

6

**WARRANTY**

---

Replacement Warranty  
\*3 Years

**CARE**

---

Care Instructions  
Do not use strong liquid cleaners. Wipe clean with a dry cloth.

**VARIANTS**

---

[WALSH EX2-AB] WALSH TWIN  
EXTERIOR WALL LIGHT  
(ANTIQUE BRASS)



9329501079195

[WALSH EX2-BRS] WALSH  
TWIN EXTERIOR WALL LIGHT  
(NATURAL BRASS)



9329501079201

[WALSH EX2-SS] WALSH TWIN  
EXTERIOR WALL LIGHT  
(STAINLESS STEEL)



9329501079188

Find WALSH TWIN EXTERIOR WALL LIGHT on  
[www.telbix.com](http://www.telbix.com)

