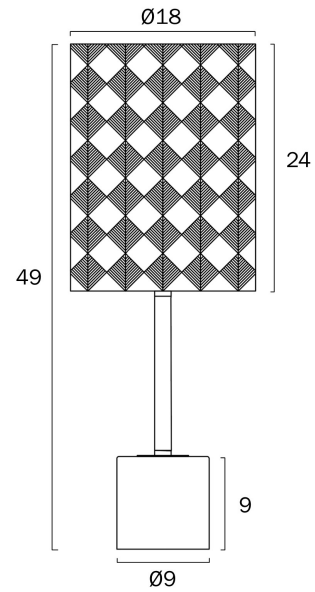


## VALTOR TABLE LAMP



Note: Dimensions are only a guide and may vary due to manufacturing variations.

### LIGHT SOURCE

**Voltage Input**

240V

**Total Wattage (max)**

25

**Globe Type**

E27

**Globe / Light Source qty**

1

**Globe / Light Source included**

No

**Dimmable**

Globe Dependant

### SPECIFICATIONS

**Lead and Plug**

Yes

**Switch**

Inline Switch

**IP rating**

IP20

**Electrical Protection**

CLASS II - DOUBLE INSULATED, EARTH NOT REQUIRED

### COLOUR AND MATERIAL

**Fixture Material**

Iron

### PRODUCT DIMENSIONS

**Fixture Weight (Kg)**

1.07

**Fixture Height (cm)**

49

**Cable Length (cm)**

180 (30+Inline Switch+150)

### WARRANTY

**Replacement Warranty**

\*3 Years

### CARE

**Care Instructions**

Do not use strong liquid cleaners, Wipe clean with a dry cloth

**VARIANTS**

[VALTOR TL-BK] VALTOR  
TABLE LAMP (BLACK)



9329501082362

[VALTOR TL-WH] VALTOR  
TABLE LAMP (WHITE)



9329501082355

Find VALTOR TABLE LAMP on  
[www.telbix.com](http://www.telbix.com)

