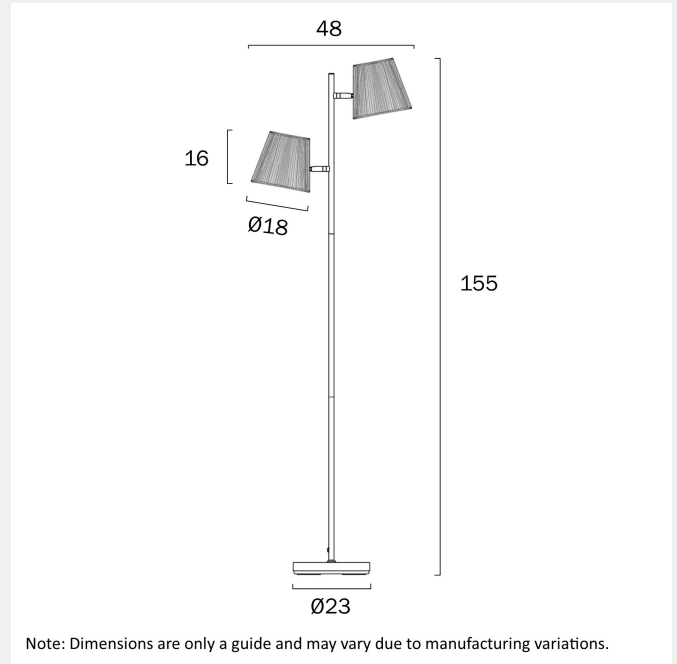


## VALORA FLOOR LAMP



### LIGHT SOURCE

**Voltage Input**

240V

**Total Wattage (max)**

50

**Globe Type**

E27

**Globe / Light Source qty**

2

**Globe / Light Source included**

No

**Dimmable**

Globe Dependant

### SPECIFICATIONS

**Lead and Plug**

Yes

**Switch**

Foot Switch

**IP rating**

IP20

**Height Adjustable?**

No

**Electrical Protection**

CLASS II – DOUBLE INSULATED, EARTH NOT REQUIRED

### COLOUR AND MATERIAL

**Fixture Material**

Iron,Natural Fiber

### PRODUCT DIMENSIONS

**Fixture Weight (Kg)**

3.8

**Fixture Height (cm)**

155

**Fixture Length (cm)**

48

**Fixture Width (cm)**

23

**Cable Length (cm)**

200 (50+Foot Switch+150)

## WARRANTY

---

### Replacement Warranty

\*3 Years

## CARE

---

### Care Instructions

Do not use strong liquid cleaners,Wipe clean with a dry cloth

## VARIANTS

---

[VALORA FL2-BZNAT] VALORA  
FLOOR LAMP (BRONZE|  
NATURAL)



9329501073865

[VALORA FL2-GMBK] VALORA  
FLOOR LAMP (GUN METAL|  
BLACK)



9329501073872

Find VALORA FLOOR LAMP on  
[www.telbix.com](http://www.telbix.com)

