



TITAN S9776 - 40/80W

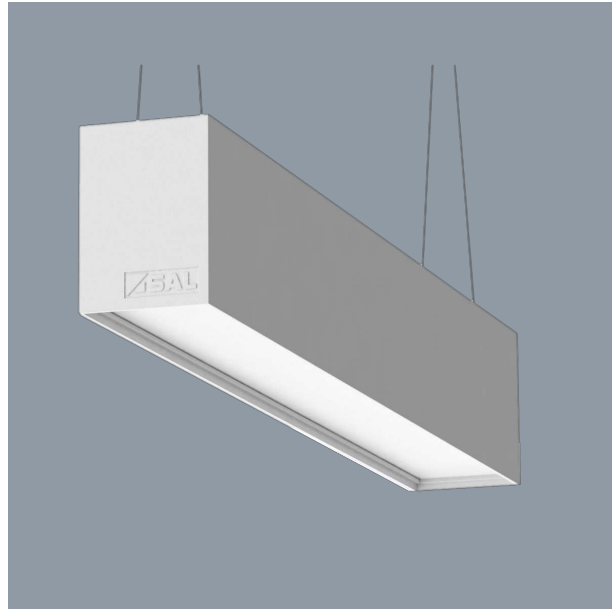
40 or 80 watt LED connectable profile

Application

Decorative commercial or residential applications, meeting rooms, kitchens or amenity areas

Design Specifications

- Extruded aluminium profile colour white or black, with opal polycarbonate diffuser
- High efficiency LED optics, CRI > 80, beam distribution 90 degree, CCT 4000K, optional 3000K/6000K.
- Integral constant current non-dimmable LED driver 40 or 80 watt
- Adjustable suspension kit supplied (2 x S5Y1512), Accessory option - straight link (S9776IP)
- Surface mounted (allow min. 200 mm clearance at both ends) Loop in loop out wiring available via the PA12 termination block



Performance

- Dimmable - **OPTIONAL**
- Dimmer Type - **Trailing edge, DALI / DSI**

Technical Specification

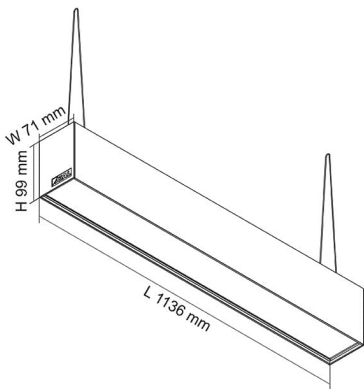
Product	Model No.	Input Voltage (V/AC)	Power (W)	Lumens (lm)	CCT (K)	CRI
	S9776/40CW	240	40	3000	4000	80
	S9776/80CW	240	80	6000	4000	80
	S9776/40CW/BK	240	40	3000	4000	80
	S9776/80CW/BK	240	80	6000	4000	80

Beam Angle (°)	Dimmable	Dim (mm)	Body Colour
90	OPTIONAL	1138(L) x 71(W) x 99(H)	WHITE
90	OPTIONAL	2256(L) x 71(W) x 99(H)	WHITE
90	OPTIONAL	1138(L) x 71(W) x 99(H)	BLACK
90	OPTIONAL	2256(L) x 71(W) x 99(H)	BLACK

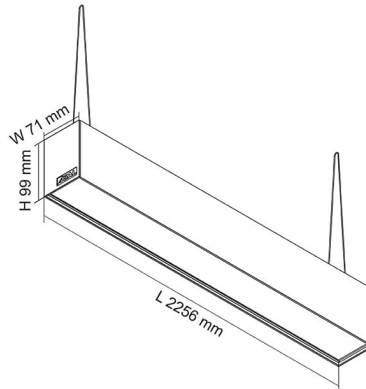
Due to continued product and technology enhancements, data sourced from sal.net.au shall not form part of any contract and or technical performance guarantee unless expressly confirmed in writing by SAL at the time of order. Products are sold in accordance with SAL Terms and Conditions of sale and all images shown are for illustration purposes only and may vary from the actual colour or finish. Unless specifically stated, all IP ratings nominated for Interior products are from "below the ceiling".

Dimensions

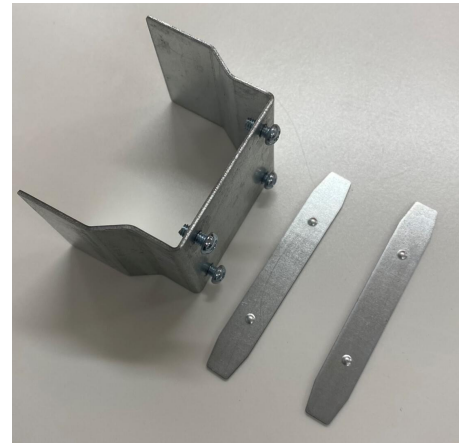
S9776 40



S9776 80



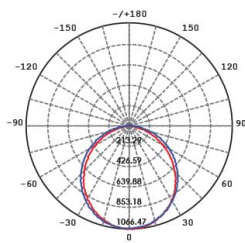
S9776IP



Photometric Data

Unit: cd C0/C180 — C90/C270 —

S9776/40CW at 4000K



THE NEW ESS106 IS SMALL IN SIZE BUT BIG ON FEATURES.



For more
information
please
scan me

