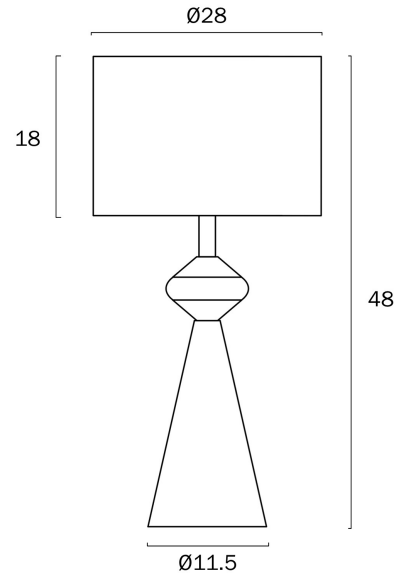


## SATILLO TABLE LAMP



### LIGHT SOURCE

**Voltage Input**

240V

**Total Wattage (max)**

25

**Globe Type**

E27

**Globe / Light Source qty**

1

**Globe / Light Source included**

No

**Dimmable**

Globe Dependant

### SPECIFICATIONS

**Lead and Plug**

Yes

**Switch**

Inline Switch

**IP rating**

IP20

**Electrical Protection**

CLASS II - DOUBLE INSULATED, EARTH NOT REQUIRED

### COLOUR AND MATERIAL

**Fixture Material**

Iron, Fabric

### PRODUCT DIMENSIONS

**Fixture Weight (Kg)**

1.85

**Fixture Height (cm)**

48

**Cable Length (cm)**

180 (30+Inline Switch+150)

### WARRANTY

**Replacement Warranty**

\*3 Years

### CARE

**Care Instructions**

Do not use strong liquid cleaners, Wipe clean with a dry cloth

**VARIANTS**

[SATILLO TL-BK] SATILLO  
TABLE LAMP (BLACK)



9329501080092

[SATILLO TL-GY] SATILLO  
TABLE LAMP (GREY)



9329501080085

[SATILLO TL-WH] SATILLO  
TABLE LAMP (WHITE)



9329501080108

Find SATILLO TABLE LAMP on  
[www.telbix.com](http://www.telbix.com)

