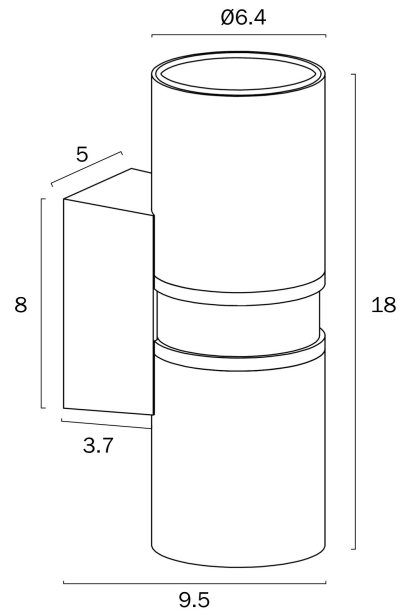


## SARNEL UP-DOWN EXTERIOR WALL LIGHT



Note: Dimensions are only a guide and may vary due to manufacturing variations.

### LIGHT SOURCE

**Voltage Input**

240V

**Total Wattage (max)**

12

**Globe Type**

GU10

**Globe / Light Source qty**

2

**Globe / Light Source included**

No

**Dimmable**

Globe Dependant

### SPECIFICATIONS

**Lead and Plug**

No

**IP rating**

IP54

**Electrical Protection**

CLASS I - HIGH VOLTAGE, EARTH REQUIRED

**Mounting**

Surface

### COLOUR AND MATERIAL

**Fixture Material**

Aluminium, Glass

**Diffuser Material**

Glass

**Fixture Color**

Brass

### PRODUCT DIMENSIONS

**Fixture Weight (Kg)**

0.5

**Fixture Height (cm)**

18

**Fixture Width (cm)**

6.4

### WARRANTY

**Replacement Warranty**

\*3 Years

**CARE**

---

**Care Instructions**

Do not use strong liquid cleaners. Wipe clean with a dry cloth.

**VARIANTS**

---

[SARNEL EX2-BRS] SARNEL  
UP-DOWN EXTERIOR WALL  
LIGHT (BRASS)



9329501078907

[SARNEL EX2-RST] SARNEL  
UP-DOWN EXTERIOR WALL  
LIGHT (CORTEN)



9329501078891

Find SARNEL UP-DOWN EXTERIOR WALL LIGHT on  
[www.telbix.com](http://www.telbix.com)

