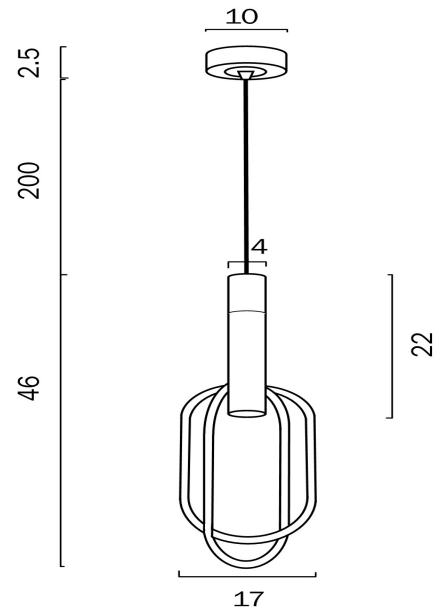


## MARVIN PENDANT LIGHT OVAL



### LIGHT SOURCE

**Voltage Input**

240V

**Total Wattage (max)**

25

**Globe Type**

E27

**Globe / Light Source qty**

1

**Globe / Light Source included**

No

**Dimmable**

Globe Dependant

### SPECIFICATIONS

**Lead and Plug**

No

**IP rating**

IP20

**Suspension Type**

Cable

**Height Adjustable?**

Yes

**Mounting**

Surface

**Electrical Protection**

CLASS I - HIGH VOLTAGE, EARTH REQUIRED

### COLOUR AND MATERIAL

**Fixture Material**

Metal

### WARRANTY

**Replacement Warranty**

\*3 Years

### PRODUCT DIMENSIONS

**Fixture Height (cm)**

46

## CARE

---

### Care Instructions

Aluminium, Brass and Stainless Steel will naturally oxidised and change overtime. Exterior products require regular four (4) monthly cleaning and maintenance to ensure they do not accumulate dirt or other environmental deposits. Wipe the product with a mild detergent and warm water to remove surface deposits. Rinse with fresh water and wipe dry with a soft cloth. An extra temporary protection barrier of water displacement oil can help to maintain the surface, such as WD40, sprayed onto a soft cloth and rubbed onto the surface.,Do not use strong liquid cleaners,Wipe clean with a dry cloth

## VARIANTS

---

[MARVIN PE10-BKGD] MARVIN  
PENDANT LIGHT OVAL



9329501059388

Find MARVIN PENDANT LIGHT OVAL on  
[www.telbix.com](http://www.telbix.com)

