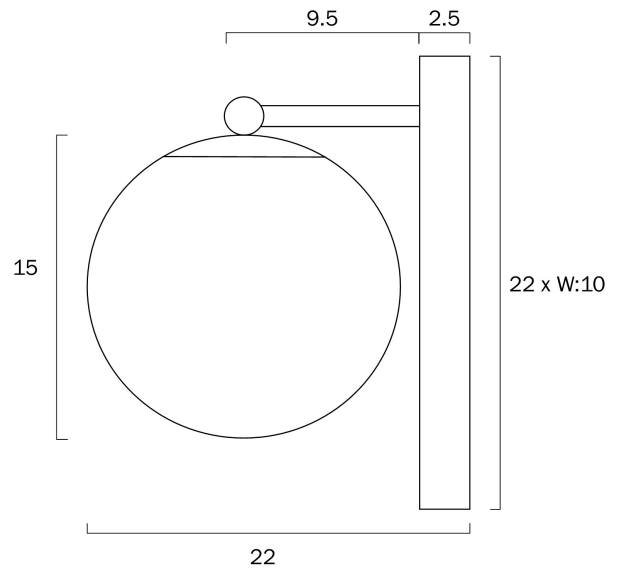


## MARSTEN WALL LIGHT



### LIGHT SOURCE

**Voltage Input**

240V

**Total Wattage (max)**

25

**Globe Type**

E27 - Fancy Round

**Globe / Light Source qty**

1

**Globe / Light Source included**

No

**Dimmable**

Globe Dependant

### SPECIFICATIONS

**Lead and Plug**

No

**IP rating**

IP20

**Electrical Protection**

CLASS I - HIGH VOLTAGE, EARTH REQUIRED

**Mounting**

Surface

**Height Adjustable?**

No

### COLOUR AND MATERIAL

**Fixture Material**

Iron,Glass

### PRODUCT DIMENSIONS

**Fixture Weight (Kg)**

0.8

**Fixture Length (cm)**

22

**Fixture Width (cm)**

15

**Fixture Height (cm)**

22

### WARRANTY

**Replacement Warranty**

\*3 Years

## CARE

---

### Care Instructions

Do not use strong liquid cleaners, Wipe clean with a dry cloth, Aluminium, Brass and Stainless Steel will naturally oxidised and change overtime. Exterior products require regular four (4) monthly cleaning and maintenance to ensure they do not accumulate dirt or other environmental deposits. Wipe the product with a mild detergent and warm water to remove surface deposits. Rinse with fresh water and wipe dry with a soft cloth. An extra temporary protection barrier of water displacement oil can help to maintain the surface, such as WD40, sprayed onto a soft cloth and rubbed onto the surface.

## VARIANTS

---

[MARSTEN WB-AGOM]  
MARSTEN WALL LIGHT  
(ANTIQUE GOLD| OPAL MATT)



9329501060131

[MARSTEN WB-BKOM]  
MARSTEN WALL LIGHT  
(BLACK| OPAL MATT)



9329501060032

Find MARSTEN WALL LIGHT on  
[www.telbix.com](http://www.telbix.com)

