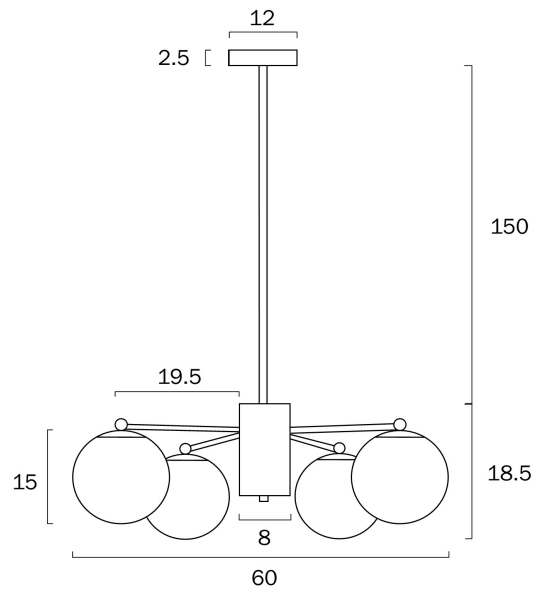


MARSTEN 5 PENDANT LIGHT



LIGHT SOURCE

Voltage Input

240V

Total Wattage (max)

125

Globe Type

E27 - Fancy Round

Globe / Light Source qty

5

Globe / Light Source included

No

Dimmable

Globe Dependant

SPECIFICATIONS

Lead and Plug

No

IP rating

IP20

Suspension Type

Rod (1x300)+(2x600)

Height Adjustable?

Yes

Raked Ceiling Compatible

No

Mounting

Surface

Electrical Protection

CLASS I - HIGH VOLTAGE, EARTH REQUIRED

COLOUR AND MATERIAL

Fixture Material

Iron,Glass

Glass Color

Opal Matt

WARRANTY

Replacement Warranty

*3 Years

PRODUCT DIMENSIONS

Fixture Height (cm)

18.5

Suspension Length (cm)

150

CARE

Care Instructions

Aluminium, Brass and Stainless Steel will naturally oxidised and change overtime. Exterior products require regular four (4) monthly cleaning and maintenance to ensure they do not accumulate dirt or other environmental deposits. Wipe the product with a mild detergent and warm water to remove surface deposits. Rinse with fresh water and wipe dry with a soft cloth. An extra temporary protection barrier of water displacement oil can help to maintain the surface, such as WD40, sprayed onto a soft cloth and rubbed onto the surface.,Do not use strong liquid cleaners,Wipe clean with a dry cloth

VARIANTS

[MARSTEN PE5-AGOM]
MARSTEN 5 PENDANT LIGHT
(ANTIQUE GOLD| OPAL MATT)



9329501060094

[MARSTEN PE5-BKOM]
MARSTEN 5 PENDANT LIGHT
(BLACK| OPAL MATT)



9329501059999

Find MARSTEN 5 PENDANT LIGHT on
www.telbix.com

