



## LOUNGE II S9328/150TC - 9W

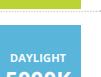
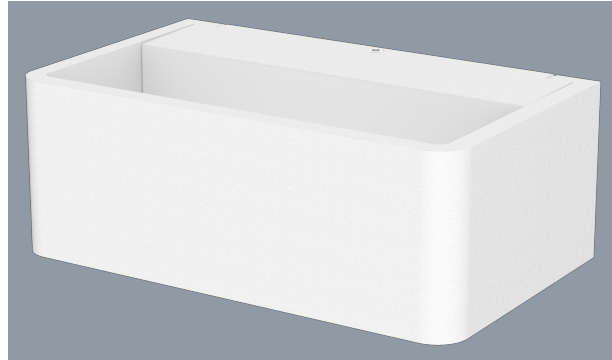
9 watt decorative IP54 architectural LED wall mount luminaire, with selectable CCT

### Application

A decorative architectural solution for residential, commercial interior or exterior spaces

### Design Specifications

- Convenient TC selectable colour temperature, 3000K / 4000K / 5000K
- Durable white or black powder coated finish
- Integral non-dimmable control gear 9 watt
- Robust die-cast aluminium body profile
- High efficiency SMD LED
- Indirect illumination (up and down) optical performance



### Technical Specification

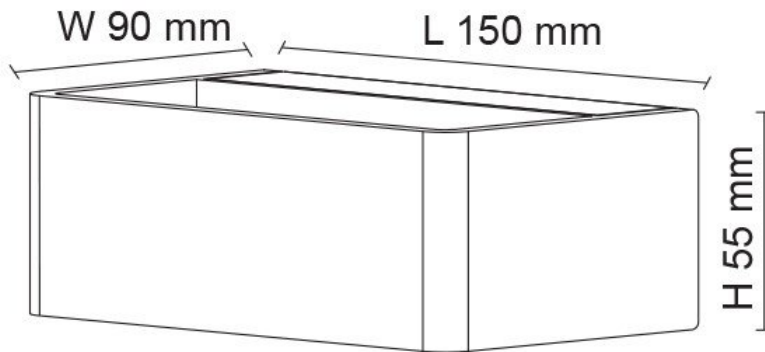
Model No.	Description	Input Voltage (V/AC)	Power (W)	Lumens (lm)	CCT (K)	CRI
S9328/150TC/WH	LOUNGE II 9W/TC WH IP54	240	9	500/600/550	3000/4000/5000	80
S9328/150TC/BK	LOUNGE II 9W/TC BK IP54	240	9	500/600/550	3000/4000/5000	80

### Technical Specification

Model No.	Dim (mm)	Body Colour
S9328/150TC/WH	150(L) x 90(W) x 55(H)	WHITE
S9328/150TC/BK	150(L) x 90(W) x 55(H)	BLACK

Due to continued product and technology enhancements, data sourced from sal.net.au shall not form part of any contract and or technical performance guarantee unless expressly confirmed in writing by SAL at the time of order. Products are sold in accordance with SAL Terms and Conditions of sale and all images shown are for illustration purposes only and may vary from the actual colour or finish. Unless specifically stated, all IP ratings nominated for Interior products are from "below the ceiling".

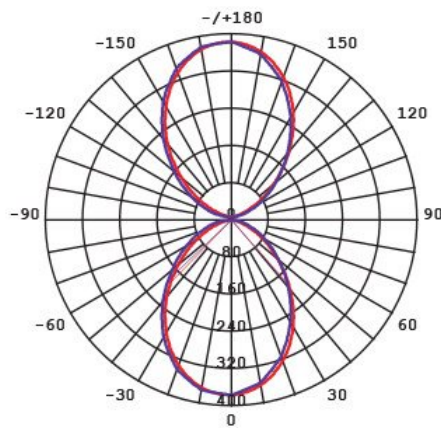
## Dimensions



## Photometric Data

Unit: cd C0/C180 \_\_\_\_\_ C90/C270 \_\_\_\_\_

**S9328/150TC at 3000K**





## Product Images

---

