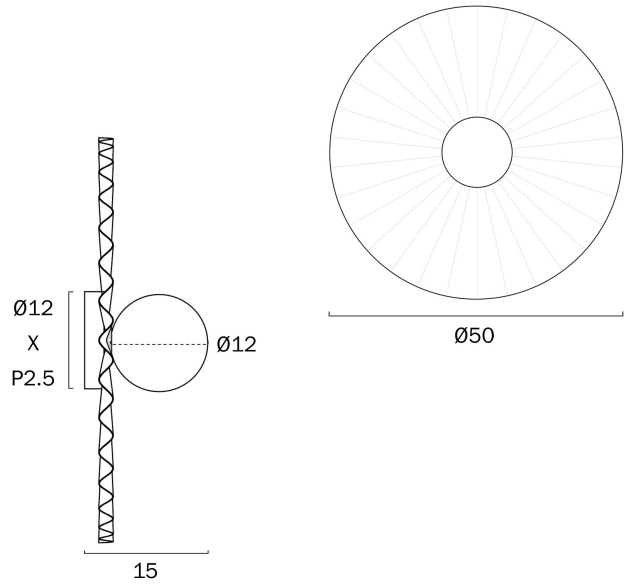
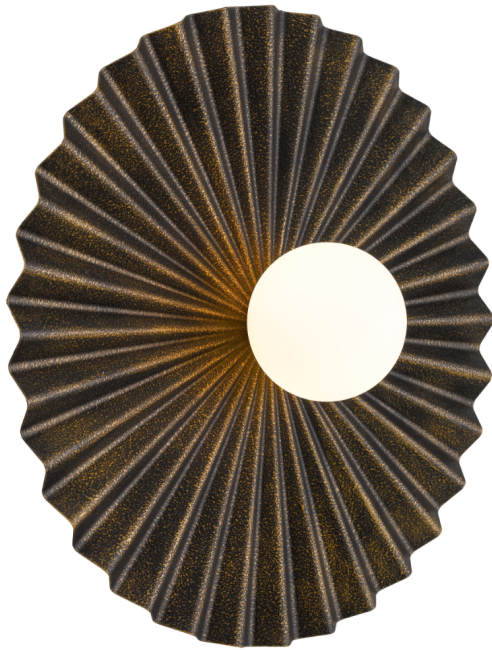


KINSO 50CM WALL LIGHT



Note: Dimensions are only a guide and may vary due to manufacturing variations.

LIGHT SOURCE

Voltage Input

240V

Total Wattage (max)

6

Globe Type

G9

Globe / Light Source qty

1

Globe / Light Source included

No

Dimmable

Globe Dependant

SPECIFICATIONS

Lead and Plug

No

IP rating

IP20

Electrical Protection

CLASS I - HIGH VOLTAGE, EARTH REQUIRED

Mounting

Surface

Height Adjustable?

No

COLOUR AND MATERIAL

Fixture Material

Iron,Glass

PRODUCT DIMENSIONS

Fixture Weight (Kg)

1.7

WARRANTY

Replacement Warranty

*3 Years

CARE

Care Instructions

Do not use strong liquid cleaners, Wipe clean with a dry cloth, Aluminium, Brass and Stainless Steel will naturally oxidised and change overtime. Exterior products require regular four (4) monthly cleaning and maintenance to ensure they do not accumulate dirt or other environmental deposits. Wipe the product with a mild detergent and warm water to remove surface deposits. Rinse with fresh water and wipe dry with a soft cloth. An extra temporary protection barrier of water displacement oil can help to maintain the surface, such as WD40, sprayed onto a soft cloth and rubbed onto the surface.

VARIANTS

[KINSO WB50-AGOM] KINSO
50CM WALL LIGHT (ANTIQUE
GOLD| OPAL MATT)



9329501077009

[KINSO WB50-ASOM] KINSO
50CM WALL LIGHT (ANTIQUE
SILVER| OPAL MATT)



9329501077023

[KINSO WB50-CPOM] KINSO
50CM WALL LIGHT (ANTIQUE
COPPER| OPAL MATT)



9329501077016

Find KINSO 50CM WALL LIGHT on
www.telbix.com

