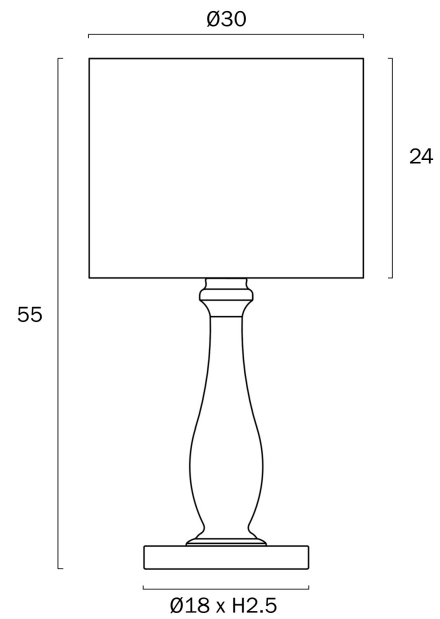


HOMMER TABLE LAMP



Note: Dimensions are only a guide and may vary due to manufacturing variations.

LIGHT SOURCE

Voltage Input

240V

Total Wattage (max)

25

Globe Type

E27

Globe / Light Source qty

1

Globe / Light Source included

No

Dimmable

Globe Dependant

SPECIFICATIONS

Lead and Plug

Yes

Switch

Inline Switch

IP rating

IP20

Electrical Protection

CLASS II - DOUBLE INSULATED, EARTH NOT REQUIRED

COLOUR AND MATERIAL

Fixture Material

Iron, Fabric

PRODUCT DIMENSIONS

Fixture Weight (Kg)

2.9

Fixture Height (cm)

55

Cable Length (cm)

180 (30+Inline Switch+150)

WARRANTY

Replacement Warranty

*3 Years

CARE

Care Instructions

Do not use strong liquid cleaners, Wipe clean with a dry cloth

VARIANTS

[HOMMER TL-BKBE] HOMMER
TABLE LAMP (BLACK)



9329501080757

[HOMMER TL-NATIV] HOMMER
TABLE LAMP (NATURAL)



9329501080740

Find HOMMER TABLE LAMP on
www.telbix.com

