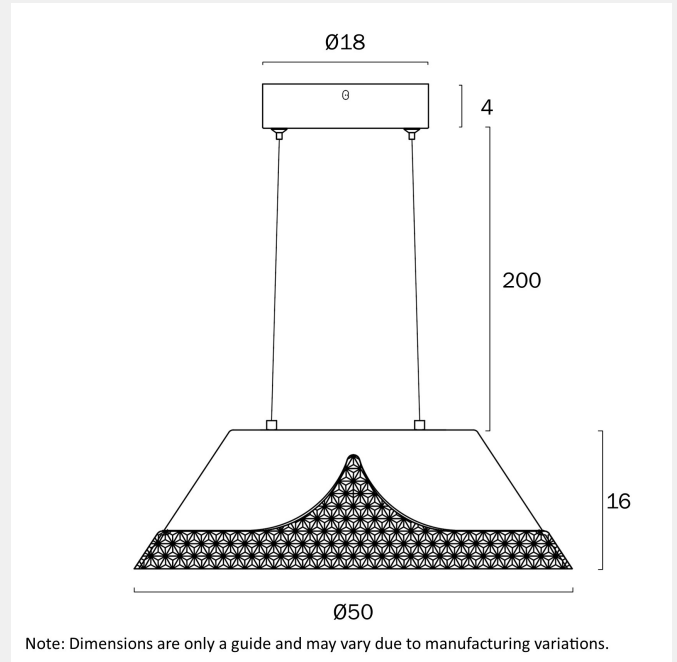


HALIFAX 50CM PENDANT LIGHT LARGE



LIGHT SOURCE

Voltage Input

240V

Total Wattage (max)

28

Globe Type

LED integrated SMD

Globe / Light Source qty

1

Globe / Light Source included

Yes

Color Kelvin

3 CCT (3000k - 4000k - 5000k)

Color Temperature

0

Dimmable

Yes - TRIAC

Lumens

810

CRI (Color Rendering Index)

>80

Surge Protection (Yes/No)

0

SPECIFICATIONS

Lead and Plug

No

IP rating

IP20

Suspension Type

0

Height Adjustable?

Yes

Raked Ceiling Compatible

0

Mounting

Surface

Electrical Protection

CLASS I - HIGH VOLTAGE, EARTH REQUIRED

Control Gear Included

0

COLOUR AND MATERIAL

Fixture Material

Iron, Glass

Fixture Pantone Color

0

Glass Color

0

Diffuser Material

0

WARRANTY

Replacement Warranty

*3 Years

PRODUCT DIMENSIONS

Fixture Weight (Kg)

8.6

Fixture Height (cm)

16

Fixture Length (cm)

0

Fixture Width (cm)

0

Suspension Length (cm)

200

OTHER

Additional Functions

0

CARE

Care Instructions

Do not use strong liquid cleaners. Wipe clean with a dry cloth. Aluminium, Brass and Stainless Steel will naturally oxidise and change overtime. Exterior products require regular four (4) monthly cleaning and maintenance to ensure they do not accumulate dirt or other environmental deposits. Wipe the product with a mild detergent and warm water to remove surface deposits. Rinse with fresh water and wipe dry with a soft cloth. An extra temporary protection barrier of water displacement oil can help to maintain the surface, such as WD40, sprayed onto a soft cloth and rubbed onto the surface.

VARIANTS

[HALIFAX PE50-BZ] HALIFAX
50CM PENDANT LIGHT LARGE



9329501080597

Find HALIFAX 50CM PENDANT LIGHT LARGE on
www.telbix.com

