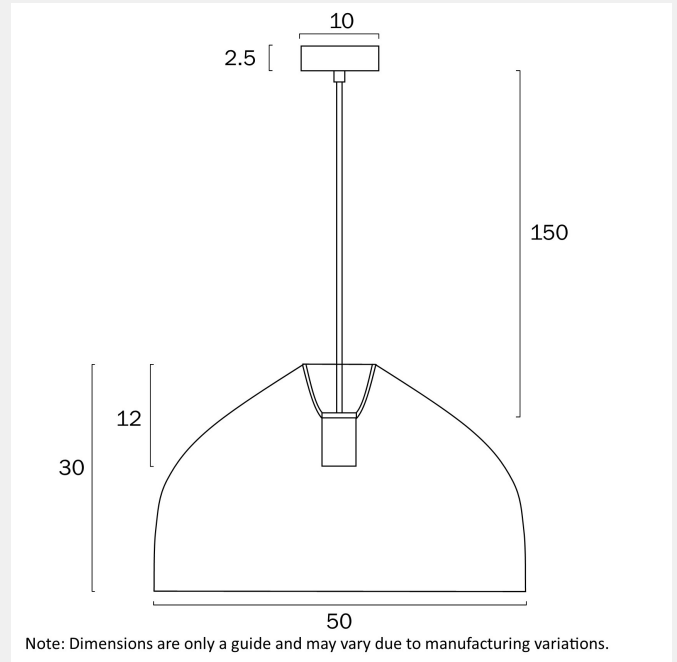


## FRYA 50CM PENDANT LIGHT



### LIGHT SOURCE

**Voltage Input**

240V

**Total Wattage (max)**

25

**Globe Type**

E27

**Globe / Light Source qty**

1

**Globe / Light Source included**

No

**Dimmable**

Globe Dependant

### SPECIFICATIONS

**Lead and Plug**

No

**IP rating**

IP20

**Suspension Type**

Cable

**Height Adjustable?**

Yes

**Mounting**

Surface

**Electrical Protection**

CLASS I - HIGH VOLTAGE, EARTH REQUIRED

### COLOUR AND MATERIAL

**Fixture Material**

Iron,Rattan

### WARRANTY

**Replacement Warranty**

\*3 Years

### PRODUCT DIMENSIONS

**Fixture Weight (Kg)**

1.55

**Fixture Height (cm)**

30

**Suspension Length (cm)**

150

## CARE

---

### Care Instructions

Aluminium, Brass and Stainless Steel will naturally oxidised and change overtime. Exterior products require regular four (4) monthly cleaning and maintenance to ensure they do not accumulate dirt or other environmental deposits. Wipe the product with a mild detergent and warm water to remove surface deposits. Rinse with fresh water and wipe dry with a soft cloth. An extra temporary protection barrier of water displacement oil can help to maintain the surface, such as WD40, sprayed onto a soft cloth and rubbed onto the surface.,Do not use strong liquid cleaners,Wipe clean with a dry cloth

## VARIANTS

---

[FRYA PE50-BK] FRYA 50CM  
PENDANT LIGHT (BLACK)



9329501063903

[FRYA PE50-BRN] FRYA 50CM  
PENDANT LIGHT (BROWN)



9329501063910

[FRYA PE50-NAT] FRYA 50CM  
PENDANT LIGHT (NATURAL)



9329501063927

Find FRYA 50CM PENDANT LIGHT on  
[www.telbix.com](http://www.telbix.com)

