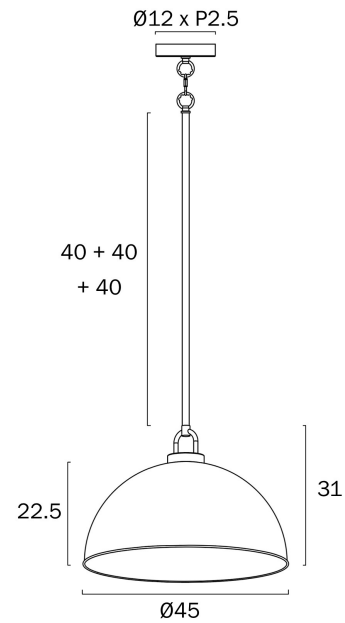


## EMERSON 45CM PENDANT LIGHT



Note: Dimensions are only a guide and may vary due to manufacturing variations.

### LIGHT SOURCE

**Voltage Input**

240V

**Total Wattage (max)**

25

**Globe Type**

E27

**Globe / Light Source qty**

1

**Globe / Light Source included**

No

**Dimmable**

Globe Dependant

### SPECIFICATIONS

**Lead and Plug**

No

**IP rating**

IP20

**Suspension Type**

Rod (3x400)

**Height Adjustable?**

Yes

**Mounting**

Surface

**Electrical Protection**

CLASS I - HIGH VOLTAGE, EARTH REQUIRED

### COLOUR AND MATERIAL

**Fixture Material**

Iron

### WARRANTY

**Replacement Warranty**

\*3 Years

### PRODUCT DIMENSIONS

**Fixture Weight (Kg)**

2.1

**Fixture Height (cm)**

31

**Suspension Length (cm)**

120

## CARE

---

### Care Instructions

Aluminium, Brass and Stainless Steel will naturally oxidised and change overtime. Exterior products require regular four (4) monthly cleaning and maintenance to ensure they do not accumulate dirt or other environmental deposits. Wipe the product with a mild detergent and warm water to remove surface deposits. Rinse with fresh water and wipe dry with a soft cloth. An extra temporary protection barrier of water displacement oil can help to maintain the surface, such as WD40, sprayed onto a soft cloth and rubbed onto the surface.,Do not use strong liquid cleaners,Wipe clean with a dry cloth

## VARIANTS

---

[EMERSON PE45-AG]  
EMERSON 45CM PENDANT  
LIGHT (ANTIQUE GOLD)



9329501076651

[EMERSON PE45-BK]  
EMERSON 45CM PENDANT  
LIGHT (BLACK)



9329501076668

[EMERSON PE45-CH]  
EMERSON 45CM PENDANT  
LIGHT (CHROME)



9329501076675

[EMERSON PE45-NK]  
EMERSON 45CM PENDANT  
LIGHT (NICKEL)



9329501076682

Find EMERSON 45CM PENDANT LIGHT on  
[www.telbix.com](http://www.telbix.com)

