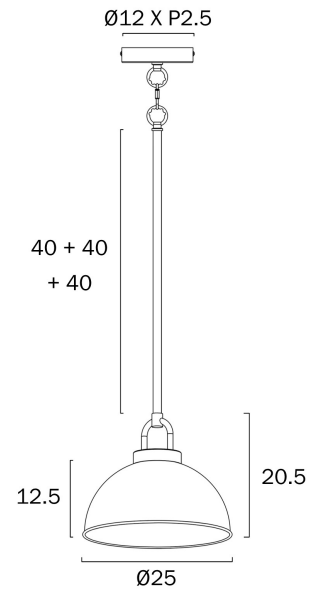
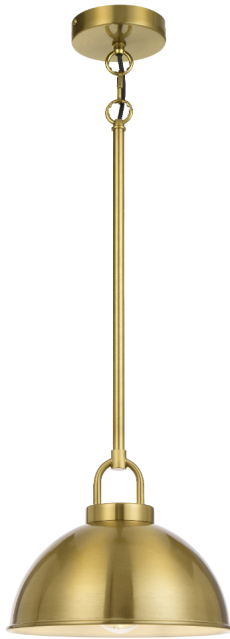


EMERSON 25CM PENDANT LIGHT



Note: Dimensions are only a guide and may vary due to manufacturing variations.

LIGHT SOURCE

Voltage Input

240V

Total Wattage (max)

25

Globe Type

E27

Globe / Light Source qty

1

Globe / Light Source included

No

Dimmable

Globe Dependant

SPECIFICATIONS

Lead and Plug

No

IP rating

IP20

Suspension Type

Rod (3x400)

Height Adjustable?

Yes

Mounting

Surface

Electrical Protection

CLASS I - HIGH VOLTAGE, EARTH REQUIRED

COLOUR AND MATERIAL

Fixture Material

Iron

WARRANTY

Replacement Warranty

*3 Years

PRODUCT DIMENSIONS

Fixture Weight (Kg)

1.2

Fixture Height (cm)

20.5

Suspension Length (cm)

120

CARE

Care Instructions

Aluminium, Brass and Stainless Steel will naturally oxidised and change overtime. Exterior products require regular four (4) monthly cleaning and maintenance to ensure they do not accumulate dirt or other environmental deposits. Wipe the product with a mild detergent and warm water to remove surface deposits. Rinse with fresh water and wipe dry with a soft cloth. An extra temporary protection barrier of water displacement oil can help to maintain the surface, such as WD40, sprayed onto a soft cloth and rubbed onto the surface.,Do not use strong liquid cleaners,Wipe clean with a dry cloth

VARIANTS

[EMERSON PE25-AG]
EMERSON 25CM PENDANT
LIGHT (ANTIQUE GOLD)



9329501076583

[EMERSON PE25-BK]
EMERSON 25CM PENDANT
LIGHT (BLACK)



9329501076545

[EMERSON PE25-CH]
EMERSON 25CM PENDANT
LIGHT (CHROME)



9329501076552

[EMERSON PE25-NK]
EMERSON 25CM PENDANT
LIGHT (NICKEL)



9329501076569

Find EMERSON 25CM PENDANT LIGHT on
www.telbix.com

