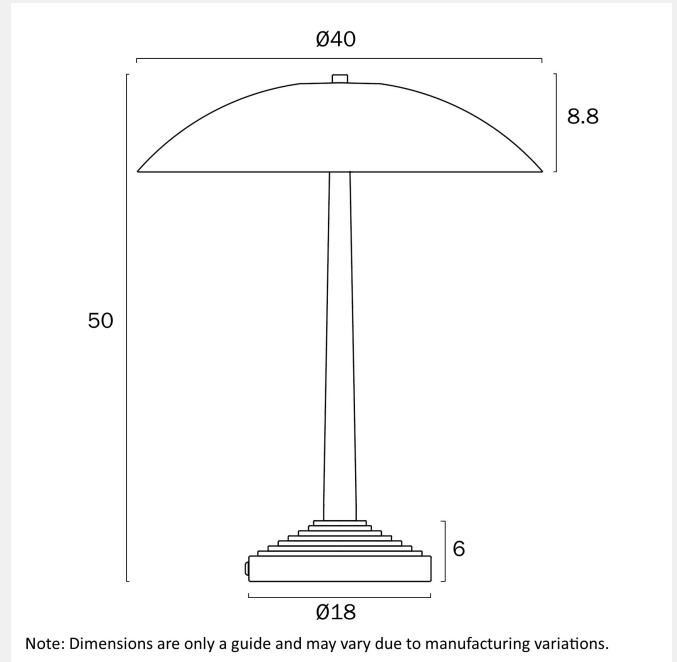


## CORVUS TABLE LAMP



### LIGHT SOURCE

**Voltage Input**

240V

**Total Wattage (max)**

50

**Globe Type**

E27

**Globe / Light Source qty**

2

**Globe / Light Source included**

No

**Dimmable**

Globe Dependant

### SPECIFICATIONS

**Lead and Plug**

Yes

**Switch**

Touch

**IP rating**

IP20

### Electrical Protection

CLASS II - DOUBLE INSULATED, EARTH NOT REQUIRED

### COLOUR AND MATERIAL

**Fixture Material**

Iron

### PRODUCT DIMENSIONS

**Fixture Weight (Kg)**

2.8

**Fixture Height (cm)**

50

**Cable Length (cm)**

180

### WARRANTY

**Replacement Warranty**

\*3 Years

### CARE

**Care Instructions**

Do not use strong liquid cleaners, Wipe clean with a dry cloth

**telbix.**

**VARIANTS**

---

[CORVUS TL-AB] CORVUS  
TABLE LAMP



9329501074565

Find CORVUS TABLE LAMP on  
[www.telbix.com](http://www.telbix.com)

