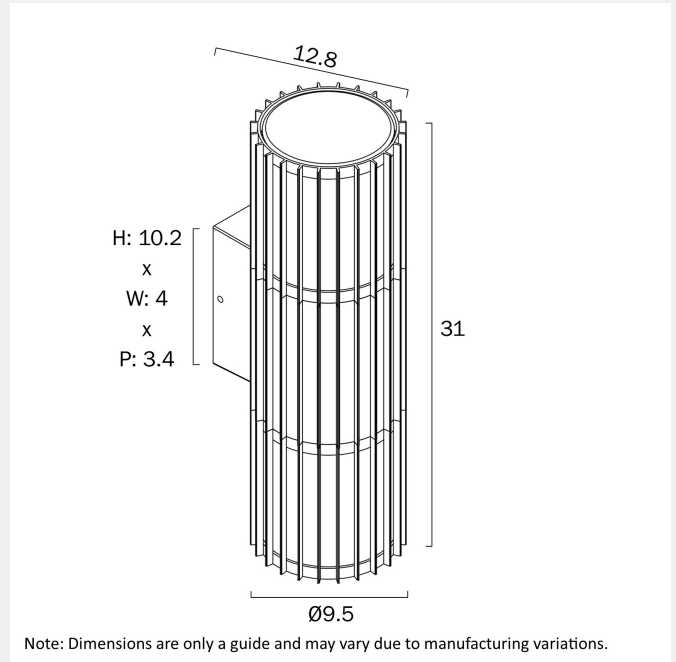


## CASHEL TWIN EXTERIOR WALL LIGHT



### LIGHT SOURCE

**Voltage Input**

240V

**Total Wattage (max)**

50

**Globe Type**

E27

**Globe / Light Source qty**

2

**Globe / Light Source included**

No

**Dimmable**

Globe dependant

### SPECIFICATIONS

**Lead and Plug**

No

**IP rating**

IP65

**Electrical Protection**

CLASS I - HIGH VOLTAGE, EARTH REQUIRED

**Mounting**

Surface

### COLOUR AND MATERIAL

**Fixture Material**

Aluminium, Polycarbonate

**Diffuser Material**

Polycarbonate

### PRODUCT DIMENSIONS

**Fixture Weight (Kg)**

0.75

**Fixture Height (cm)**

31

**Fixture Width (cm)**

9.5

### WARRANTY

**Replacement Warranty**

\*3 Years

**CARE**

---

**Care Instructions**

Do not use strong liquid cleaners. Wipe clean with a dry cloth. Aluminium, Brass and Stainless Steel will naturally oxidise and change overtime. Exterior products require regular four (4) monthly cleaning and maintenance to ensure they do not accumulate dirt or other environmental deposits. Wipe the product with a mild detergent and warm water to remove surface deposits. Rinse with fresh water and wipe dry with a soft cloth. An extra temporary protection barrier of water displacement oil can help to maintain the surface, such as WD40, sprayed onto a soft cloth and rubbed onto the surface.

**VARIANTS**

---

[CASHEL EX2-BK] CASHEL  
TWIN EXTERIOR WALL LIGHT  
(BLACK)



9329501083833

[CASHEL EX2-RST] CASHEL  
TWIN EXTERIOR WALL LIGHT  
(CORTEN)



9329501083840

Find CASHEL TWIN EXTERIOR WALL LIGHT on  
[www.telbix.com](http://www.telbix.com)

