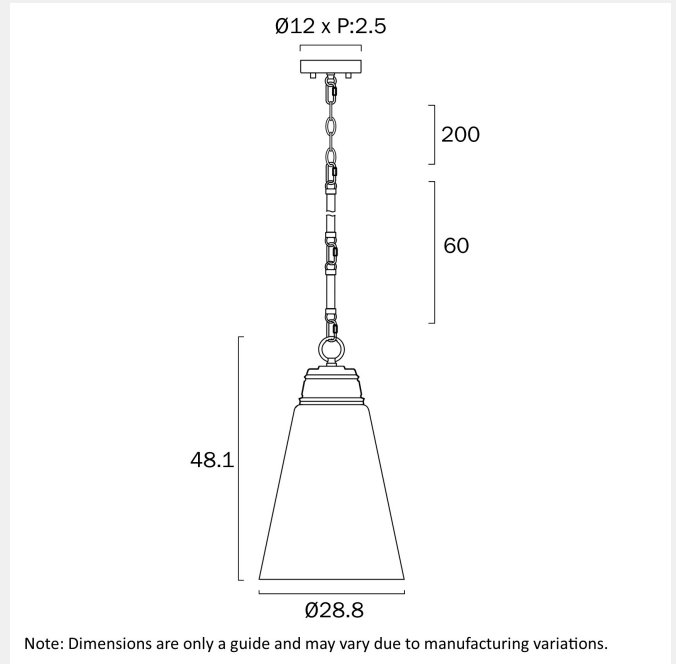


## BRINE 28CM PENDANT LIGHT SMALL



### LIGHT SOURCE

**Voltage Input**

240V

**Total Wattage (max)**

25

**Globe Type**

E27

**Globe / Light Source qty**

1

**Globe / Light Source included**

No

**Color Kelvin**

0

**Color Temperature**

0

**Dimmable**

Globe Dependant

**Lumens**

0

**CRI (Color Rendering Index)**

0

**Surge Protection (Yes/No)**

0

### SPECIFICATIONS

**Lead and Plug**

0

**IP rating**

IP20

**Suspension Type**

Chain + Rod

**Height Adjustable?**

Yes

**Raked Ceiling Compatible**

Yes

**Mounting**

0

**Electrical Protection**

CLASS I - HIGH VOLTAGE, EARTH REQUIRED

**Control Gear Included**

0

**COLOUR AND MATERIAL**

---

**Fixture Material**

Iron, Glass

**Fixture Pantone Color**

0

**Glass Color**

0

**Diffuser Material**

0

**WARRANTY**

---

**Replacement Warranty**

\*3 Years

**PRODUCT DIMENSIONS**

---

**Fixture Weight (Kg)**

3.7

**Fixture Height (cm)**

48.1

**Fixture Length (cm)**

0

**Fixture Width (cm)**

0

**Suspension Length (cm)**

260

**OTHER**

---

**Additional Functions**

0

**CARE**

---

**Care Instructions**

Do not use strong liquid cleaners. Wipe clean with a dry cloth. Aluminium, Brass and Stainless Steel will naturally oxidise and change overtime. Exterior products require regular four (4) monthly cleaning and maintenance to ensure they do not accumulate dirt or other environmental deposits. Wipe the product with a mild detergent and warm water to remove surface deposits. Rinse with fresh water and wipe dry with a soft cloth. An extra temporary protection barrier of water displacement oil can help to maintain the surface, such as WD40, sprayed onto a soft cloth and rubbed onto the surface.

**VARIANTS**

---

[BRINE PE28-AG] BRINE 28CM  
PENDANT LIGHT SMALL  
(ANTIQUE GOLD)



9329501079959

[BRINE PE28-BK] BRINE 28CM  
PENDANT LIGHT SMALL  
(BLACK)



9329501079935

[BRINE PE28-NK] BRINE 28CM  
PENDANT LIGHT SMALL  
(NICKEL)



9329501079942

Find BRINE 28CM PENDANT LIGHT SMALL on  
[www.telbix.com](http://www.telbix.com)

