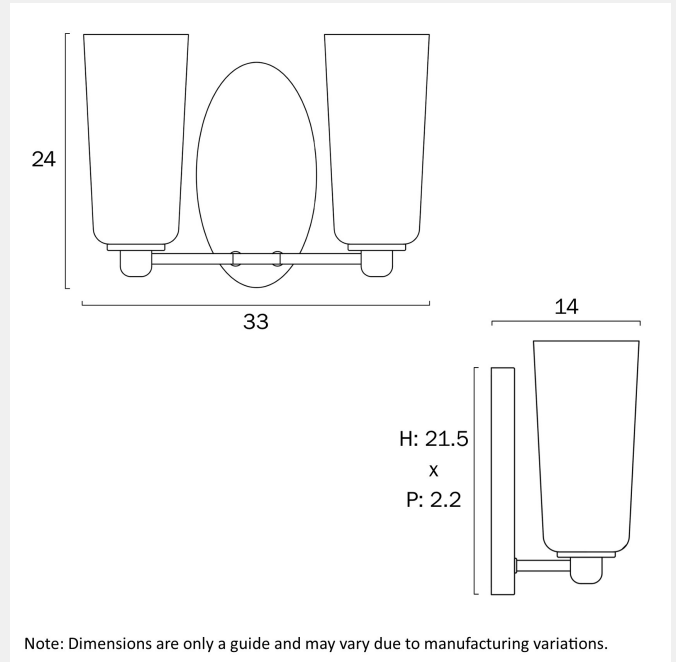


BREVAN TWIN WALL LIGHT



LIGHT SOURCE

Voltage Input

240V

Total Wattage (max)

50

Globe Type

E27

Globe / Light Source qty

2

Globe / Light Source included

No

Dimmable

Globe Dependant

SPECIFICATIONS

Lead and Plug

No

IP rating

IP20

Electrical Protection

CLASS I - HIGH VOLTAGE, EARTH REQUIRED

Mounting

Surface

COLOUR AND MATERIAL

Fixture Material

Iron, Glass

PRODUCT DIMENSIONS

Fixture Weight (Kg)

1.6

Fixture Width (cm)

33

Fixture Height (cm)

24

WARRANTY

Replacement Warranty

*3 Years

CARE

Care Instructions

Do not use strong liquid cleaners, Wipe clean with a dry cloth, Aluminium, Brass and Stainless Steel will naturally oxidised and change overtime. Exterior products require regular four (4) monthly cleaning and maintenance to ensure they do not accumulate dirt or other environmental deposits. Wipe the product with a mild detergent and warm water to remove surface deposits. Rinse with fresh water and wipe dry with a soft cloth. An extra temporary protection barrier of water displacement oil can help to maintain the surface, such as WD40, sprayed onto a soft cloth and rubbed onto the surface.

VARIANTS

[BREVAN WB2-AGMB]
BREVAN TWIN WALL LIGHT
(ANTIQUÉ GOLD)



9329501081747

[BREVAN WB2-BKMB] BREVAN
TWIN WALL LIGHT (BLACK)



9329501081730

Find BREVAN TWIN WALL LIGHT on
www.telbix.com

