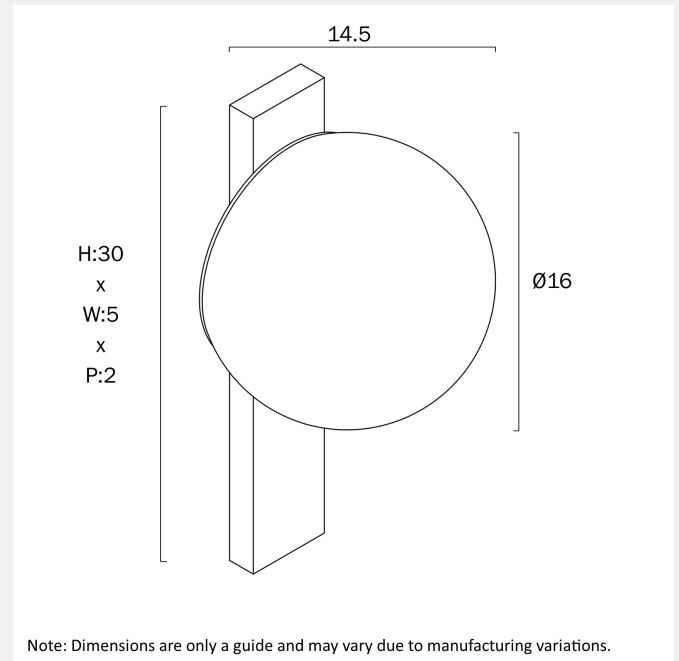


BERNAY EXTERIOR LED WALL LIGHT



LIGHT SOURCE

Voltage Input

240V

Total Wattage (max)

10

Globe Type

Integrated LED SMD

Globe / Light Source qty

1

Globe / Light Source included

Yes

Color Kelvin

3000k

Color Temperature

Warm White

Dimmable

No

Lumens

950

CRI (Color Rendering Index)

>90

Surge Protection (Yes/No)

Yes

SPECIFICATIONS

Lead and Plug

No

IP rating

IP65

Electrical Protection

CLASS I - HIGH VOLTAGE, EARTH REQUIRED

Mounting

Surface

COLOUR AND MATERIAL

Fixture Material

Aluminium, Polycarbonate

Diffuser Material

Polycarbonate

PRODUCT DIMENSIONS

Fixture Weight (Kg)

0.62

telbix.

Fixture Height (cm)

30

Fixture Width (cm)

16

WARRANTY

Replacement Warranty

*3 Years

CARE

Care Instructions

Do not use strong liquid cleaners. Wipe clean with a dry cloth. Aluminium, Brass and Stainless Steel will naturally oxidise and change overtime. Exterior products require regular four (4) monthly cleaning and maintenance to ensure they do not accumulate dirt or other environmental deposits. Wipe the product with a mild detergent and warm water to remove surface deposits. Rinse with fresh water and wipe dry with a soft cloth. An extra temporary protection barrier of water displacement oil can help to maintain the surface, such as WD40, sprayed onto a soft cloth and rubbed onto the surface.

VARIANTS

[BERNAY EX-BKOM] BERNAY
EXTERIOR LED WALL LIGHT
(BLACK)



9329501083819

[BERNAY EX-RSTOM] BERNAY
EXTERIOR LED WALL LIGHT
(CORTEN)



9329501083826

Find BERNAY EXTERIOR LED WALL LIGHT on
www.telbix.com

