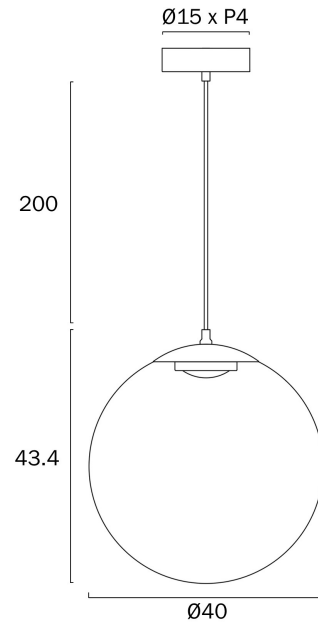


## AURORA 40CM PENDANT LIGHT



Note: Dimensions are only a guide and may vary due to manufacturing variations.

### LIGHT SOURCE

**Voltage Input**

240V

**Total Wattage (max)**

15

**Globe Type**

LED integrated SMD

**Globe / Light Source qty**

1

**Globe / Light Source included**

Yes

**Color Kelvin**

3000k

**Color Temperature**

Warm White

**Dimmable**

Yes - TRIAC

**Lumens**

780

### SPECIFICATIONS

**Lead and Plug**

No

**IP rating**

IP20

**Height Adjustable?**

Yes

**Mounting**

Surface

**Electrical Protection**

CLASS I - HIGH VOLTAGE, EARTH REQUIRED

### COLOUR AND MATERIAL

**Fixture Material**

Iron,Glass

### WARRANTY

**Replacement Warranty**

\*3 Years

## PRODUCT DIMENSIONS

---

**Fixture Weight (Kg)**

3.4

**Fixture Height (cm)**

43.4

**Suspension Length (cm)**

200

## CARE

---

**Care Instructions**

Aluminium, Brass and Stainless Steel will naturally oxidised and change overtime. Exterior products require regular four (4) monthly cleaning and maintenance to ensure they do not accumulate dirt or other environmental deposits. Wipe the product with a mild detergent and warm water to remove surface deposits. Rinse with fresh water and wipe dry with a soft cloth. An extra temporary protection barrier of water displacement oil can help to maintain the surface, such as WD40, sprayed onto a soft cloth and rubbed onto the surface.,Do not use strong liquid cleaners,Wipe clean with a dry cloth

## VARIANTS

---

[AURORA PE40-RBW] AURORA  
40CM PENDANT LIGHT



9329501076347

Find AURORA 40CM PENDANT LIGHT on  
[www.telbix.com](http://www.telbix.com)

