

ZEKE-4-ROUND LED Steplight



Description

The surface mounted ZEKE-4 Round LED wall/step light features a slim-line, cast aluminium body and cable gland for easy installation. The aluminium trim features a special chromate process before a polyester powder coated finish is applied, for extended wear in harsh external environments.

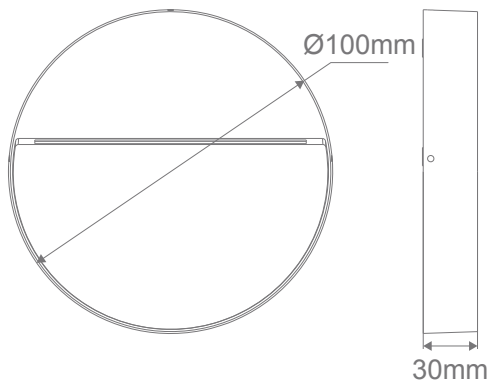
With an IP65 rating, the ZEKE-4 Round features amazing downward illumination with minimal power consumption; A total of 4W of high intensity illumination. Particularly useful for external pathways and steps or any area in which recessed mounting is not an option. The ZEKE-4 Round is also backed by our Three Year Replacement Warranty for peace of mind.



Specification Features

Input Voltage: 240V AC
 Power (W): 4W
 IP rating (IP): 65
 Lumens (lm): Warm White 3000K - 300lm
 White 5000K - 350lm
 LED type: SMD
 CCT: 3000K - 5000K
 CRI: ≥80
 Dimmable: No
 Lifespan (hrs): 50,000hrs

Diagrams / Additional



Item No.	Variant	Colour
ZEKE-4-RND-BLK	19526	3000K
	19527	5000K
ZEKE-4-RND-DGR	19702	3000K
	19703	5000K
ZEKE-4-RND-SLR	19700	3000K
	19701	5000K
ZEKE-4-RND-WHT	19704	3000K
	19705	5000K