

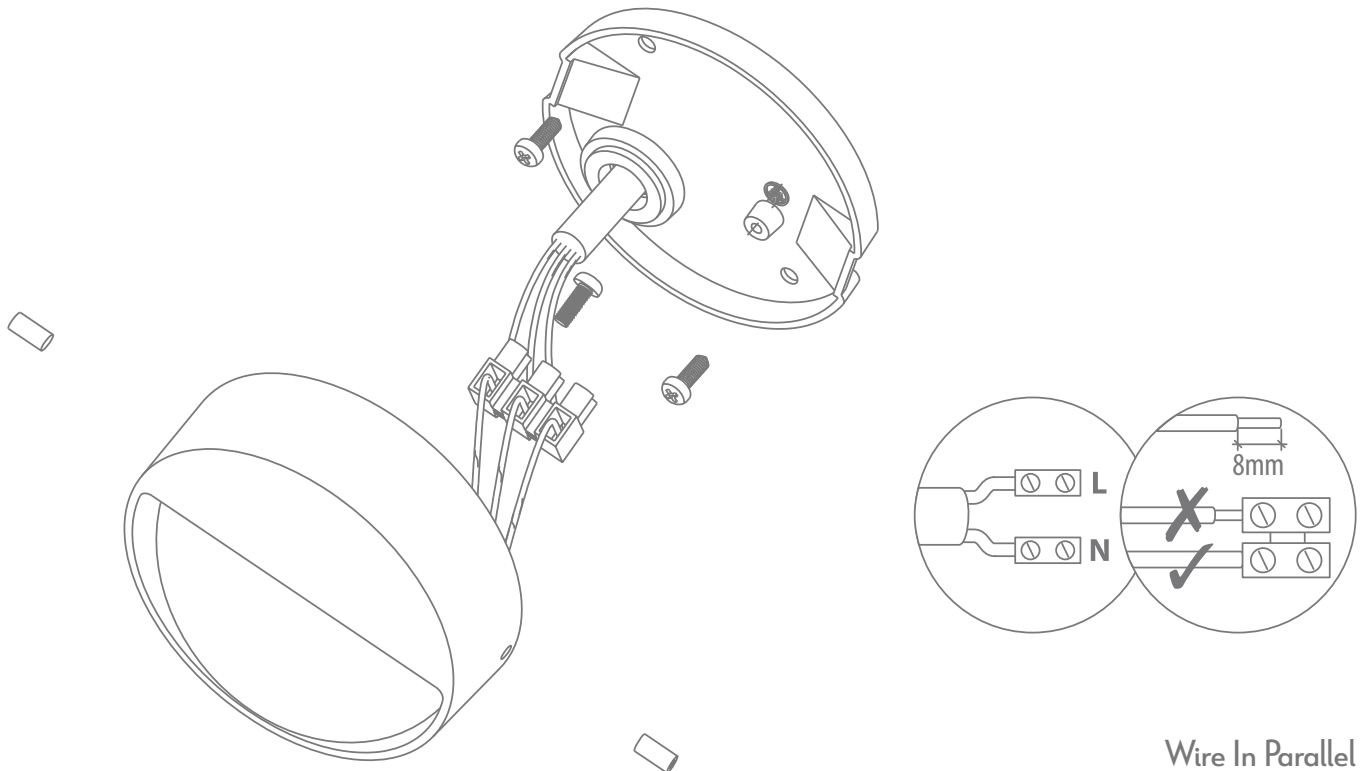
ZEKE-4-12V-RND

Order Code	Product Code	Description
19846	ZEKE-4-12V-RND-BLK-WW	4W Round Steplight, Black finish. Warm white 3000K
19847	ZEKE-4-12V-RND-BLK-W	4W Round Steplight, Black finish. White 5000K
19840	ZEKE-4-12V-RND-SLR-WW	4W Round Steplight, Silver finish. Warm white 3000K
19841	ZEKE-4-12V-RND-SLR-W	4W Round Steplight, Silver finish. White 5000K
19842	ZEKE-4-12V-RND-DGR-WW	4W Round Steplight, Dark grey finish. Warm white 3000K
19843	ZEKE-4-12V-RND-DGR-W	4W Round Steplight, Dark grey finish. White 5000K
19844	ZEKE-4-12V-RND-WHT-WW	4W Round Steplight, Satin white finish. Warm white 3000K
19845	ZEKE-4-12V-RND-WHT-W	4W Round Steplight, Satin white finish. White 5000K

Thank you for purchasing your new LED ZEKE-4-12V-RND, Please take the time to read and understand the instruction sheet below. Failure to do so may void warranty.

Specifications

Voltage:	12V DC	Lumen (±5%):	Warm White 3000K - 300lm White 5000K - 350lm	Dimmable:	No
Power:	4W	CCT:	3000K - 5000K	Operating Temp:	-30~+45
IP Rating:	65	Lifespan:	50,000hrs	CRI:	≥80
Requires:	12V DC Constant Voltage LED Driver				



Wire In Parallel

Note: -The lamp must be installed by professional electrician
-Ensure the power supply is switched off before fitting this product

-Do not touch the lamp when in use
-Keep away from hot steam and corrosive gas