

Installation Manual

YORK-7

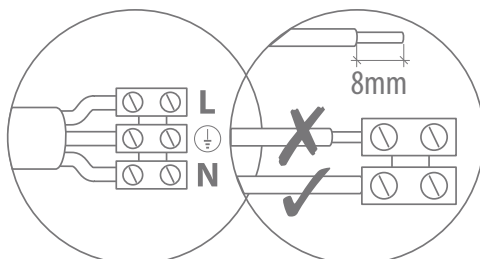
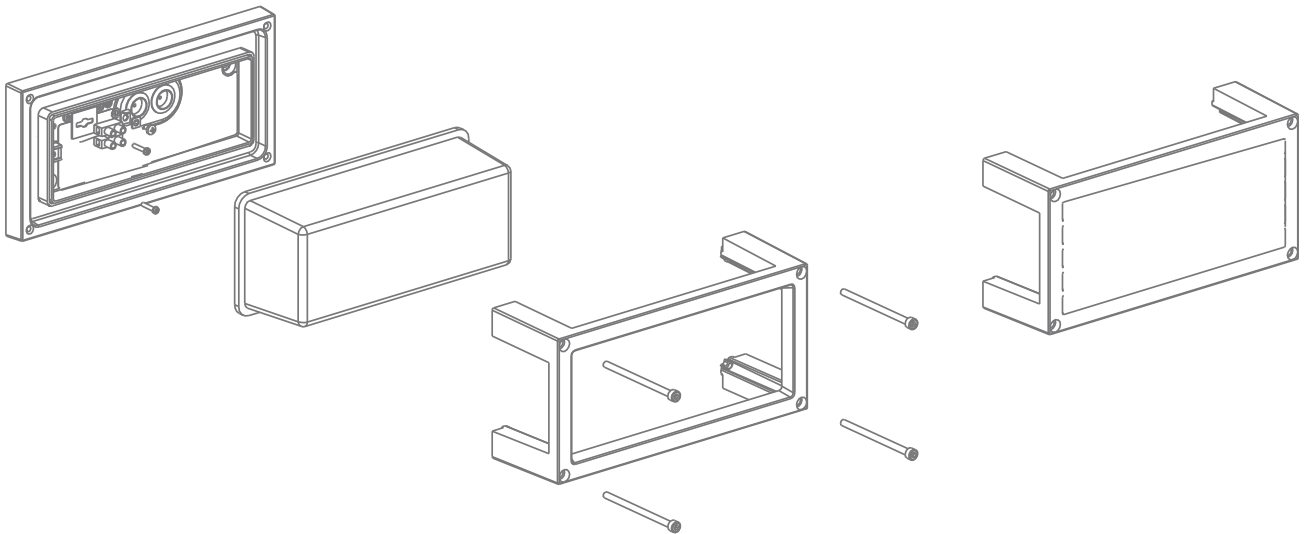
Date: 10/2018

Variant	Item No.	Description
19644	YORK-7-DGR-WW	LED Wall Light, dark grey finish. 3000K, warm white.
19645	YORK-7-DGR-W	LED Wall Light, dark grey finish. 5000K, white.
19646	YORK-7-WHT-WW	LED Wall Light, white finish. 3000K, warm white.
19647	YORK-7-WHT-W	LED Wall Light, white finish. 5000K, white.
19648	YORK-7-BLK-WW	LED Wall Light, black finish. 3000K, warm white.
19649	YORK-7-BLK-W	LED Wall Light, black finish. 5000K, white.

Thank you for purchasing your new LED YORK-7, Please take the time to read and understand the instruction sheet below. Failure to do so may void warranty.

Specifications

Voltage:	240V AC	Lumen (±5%):	Warm White 3000K - 350lm White 5000K - 400lm	Dimmable:	No
Power:	7W	Beam Angle:	120°	Operating Temp:	-20°~45°
IP Rating:	IP65	CCT:	3000K - 5000K	Power Factor:	
CRI:	≥80	Lifespan:	50,000hrs		



Note: -The lamp must be installed by professional electrician
-Ensure the power supply is switched off before fitting this product

-Do not touch the lamp when in use
-Keep away from hot steam and corrosive gas