

## WP12-15

### Constant Voltage LED Driver



#### Description

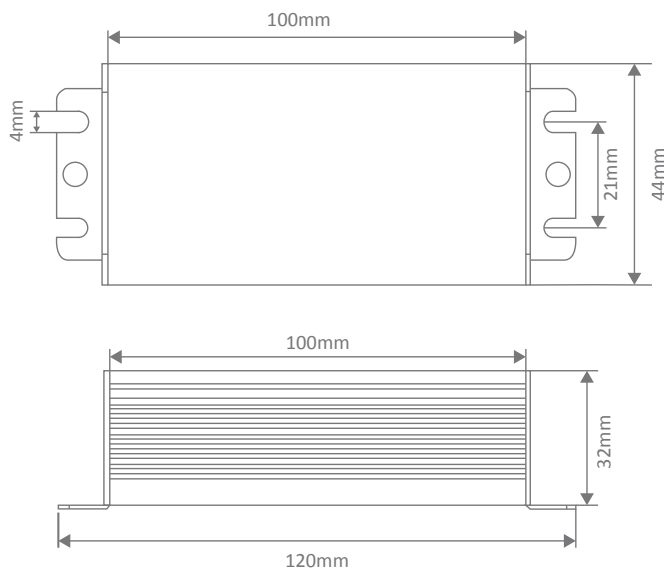
15W 12V DC Weatherproof Constant Voltage LED Driver for use on LED strip lighting, garden lights, inground uplighters and much more. Complete with flex and plug. Backed by a 3 Year replacement Warranty.

#### Specification Features

Input Voltage (AC):	200-260V 50/60Hz
Output Voltage (DC):	12V DC
Output Wattage (W):	1.5 - 15W
Flex and Plug:	Yes
IP Rating (IP):	67
Dimensions:	(L) 100mm x (W) 44mm x (H) 32mm
Warranty:	3 Year Replacement
Wiring:	Wire in Parallel
Protection:	Short Circuit, Over Voltage, Over Temperature & Overload



#### Diagrams / Additional



Item No.	Variant
DRIVER-WP12V	20200