

## WP12-100 Constant Voltage LED Driver



### Description

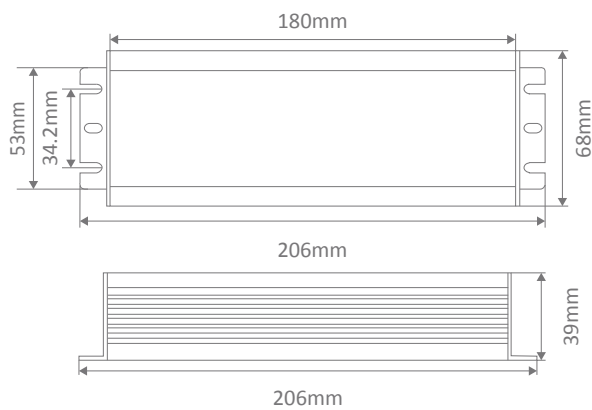
100W 12V DC Weatherproof Constant Voltage LED Driver for use on LED strip lighting, garden lights, inground uplighters and much more. Complete with flex and plug. Backed by a 3 Year replacement Warranty.

### Specification Features

Input Voltage (AC):	200-260V 50/60Hz
Output Voltage (DC):	12V DC
Output Wattage (W):	10 - 100W
Flex and Plug:	Yes
LED Indicator:	No
IP Rating (IP):	67
Dimensions:	(L) 180mm x (W) 68mm x (H) 39mm
Warranty:	3 Year Replacement
Wiring:	Wire in Parallel
Protection:	Short Circuit, Over Voltage, Over Temperature & Overload



### Diagrams / Additional



Item No.	Variant
DRIVER-WP12V	20203