

# Trimless Recessed Downlight Installation Instructions

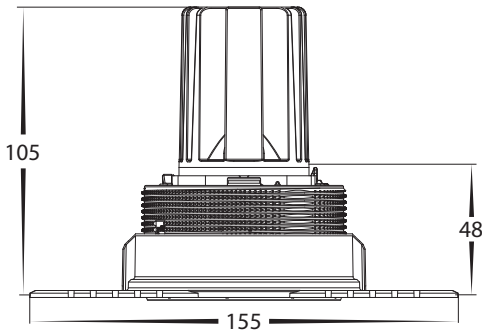


## Product Specifications

Model No.	HCP-81329083	HCP-81349083	HCP-81359013	HCP-81349037	HCP-81329047
Material	Aluminium + Plastic		Aluminium + Plastic	Aluminium + Plastic	
Colour	White		White	White	
IP Rating	IP44		IP44	IP44	
Cut Out	Ø90mm		Ø90mm	Ø90mm	
Input Voltage	240v (Remote Driver)		240v (Remote Driver)	24v DC (External Remote LED Driver Required)	
Protection Class	2 (No Earth Required)		2 (No Earth Required)	3 (No Earth Required)	
Lamp Base	Built in LED		Built in LED	Built in LED	
Lamp Wattage	1x 13w		1x 13w	1x 7.2w	
Colour Temp	3000k		2700-6500k	3000k	4000k
Lumens	939lm		955lm - 1024lm	540lm	555lm
CRI	> 97		> 90	> 90	
Dimmable	Triac Dimmable	Dali 2 Dimmable	Dali 2 Dimmable	Yes	
Warranty	5 Years Replacement*		5 Years Replacement*	5 Years Replacement*	

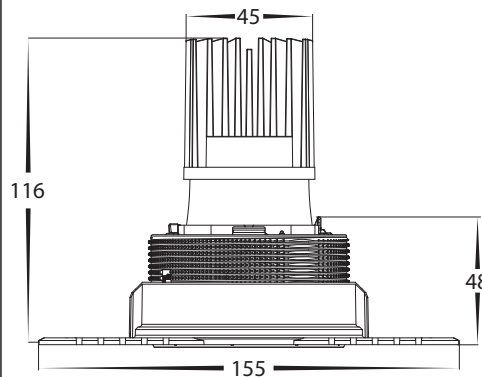
13w CRI 97+ Dimensions

Cut Out - Ø90



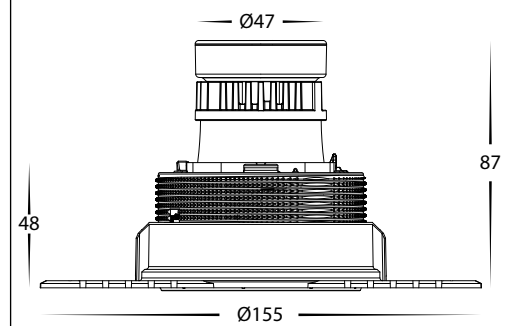
13w Tunable Dimensions

Cut Out - Ø90



7.2w 24v DC Dimensions

Cut Out = 90mm



### Important Safety Issues:

- This product must be installed by a qualified electrician according to AS/NZS 3000.
- Ensure all electrical mains are disconnected before any installation.
- Modification of this product will void any warranty.
- Havit Commercial does not take responsibility for wrong installation, incorrect use, or use of installation material that does not belong to the system.
- Aluminium and 304SS fittings must not be installed within 5km of any salt water environments.
- All o-rings and seals must be in place correctly to maintain warranty
- This form may be updated at any time due to product improvements, please check online installation form for most current version.

### Steps for Installation:

1. Make sure that the electrical circuit is free of voltage (master switch off)
2. Cut Out Ø90mm Hole in location downlight will be installed
3. Remove centre ring component of downlight by placing fingers on inside and pulling gently and set aside
4. Slide fitting through hole and position into place
5. Screw 4x Screws (2 either side of frame) through Gyprock ceiling and into side of frame.
6. Adjust centre component of downlight by twisting clockwise so its flush with ceiling and tighten screws to hold it in place
7. Insert Red cap and clip into place
8. Apply Plaster compound over fitting and once dried,remove red cap and sand until completely smooth.
9. **For 240v Models:** Separate driver from module and insert through hole while connecting to plug base, For Dali models connect Dali signals also. Allow Connector that connects to module sticking out from hole.  
**For 24v DC Models:** Connect module to 24v DC Constant Voltage LED Driver.
10. Insert module into centre ring component that was set aside earlier making sure it clicks into place
11. Connect Module to driver connector sticking out from frame and push completed ring and module into downlight frame until it clicks into place.
12. Make sure all connections are correct before switching on power.

### Steps for Installation of Coloured Inner Ring:

1. Make sure that the electrical circuit is free of voltage (master switch off)
2. Remove inner ring from fitting by pully gently
3. Insert new coloured inner ring pushing in gently until it clicks into place.

**Must be installed by a licensed electrician**

### Contact Details:

8/133 Beauchamp Road  
Matraville NSW 2036  
Australia  
Tel: 02 9381 8383  
Email: sales@havitcommercial.com.au  
Web: www.havitcommercial.com.au

### Warranty Terms & Conditions\*



[www.havitcommercial.com.au](http://www.havitcommercial.com.au)

