

Polk

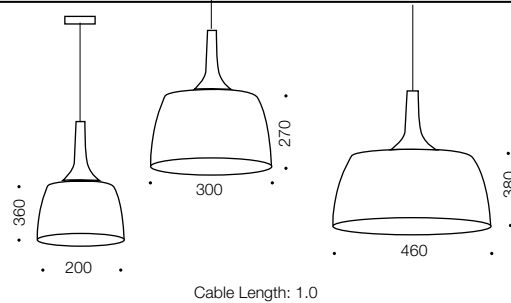
Pendant



Specifications

Type	Pendant
Light Source	E27 25w max
Globe	Not included
Warranty	1 year*

Measurements



Colours

Oak/white



Oak/black



Codes

Polk PE20-OK/BK

Polk PE20-OK/WH

Polk PE30-OK/BK

Polk PE30-OK/WH

Polk PE46-OK/BK

Polk PE46-OK/WH

Product Approvals

IP20



Polk

Pendant



Specifications

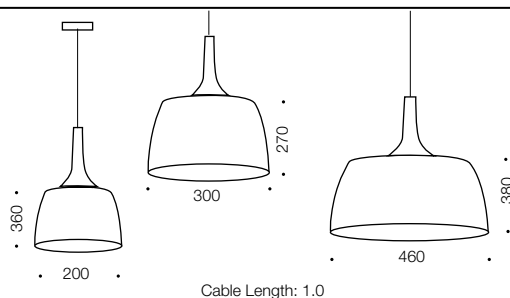
Type	Pendant
Light Source	E27 40w max
Globe	Not included
Warranty	1 year*

Colours

Black/copper



Measurements



Codes

Polk PE20-BK/CP

Polk PE30-BK/CP

Polk PE46-BK/CP

Product Approvals

