

TWIN-SPOT-EM

Twin Spot Emergency Light



Description

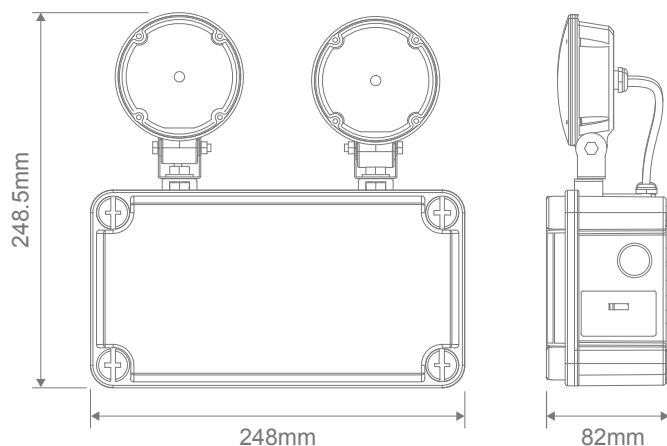
EXIT-TWIN-SPOT-EM is a wall mounted Twin Spot LED Emergency Light designed to be installed in industrial and commercial areas such as warehouses spaces. Featuring LED technology providing an energy efficient light source with high output, which is ideal for a range of emergency lighting applications. Complete with 2x2.5W LED, with adjustable spot heads for better coverage. Available in White and Black colour options. High quality Lithium battery, with easy replacement function.

Specification Features

Input Voltage:	240V
Power (W):	2.5/5
IP rating (IP):	IP65
Lumens (lm):	White 6500K - 300lm
Frequency:	60Hz
Charge Time:	16/24Hrs
Emergency Time:	2/3Hrs
Operation:	Non-Maintained Operation
Function:	Manual Test Switch & LED Indicator
Working Temperature:	0-40°C
Battery:	LiFePO4
Mounting:	Wall Mounted
Compliance:	Fully compliant to AS/NZS 2293.3 standards



Diagrams / Additional



ESCAPE
Emergency Systems

Item No.	Variant	
	Wht	Blk
TWIN-SPOT-EM	66108	66109