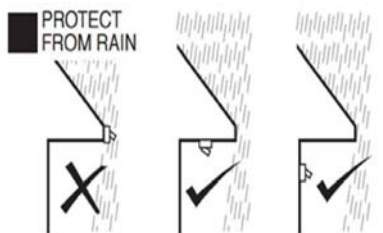
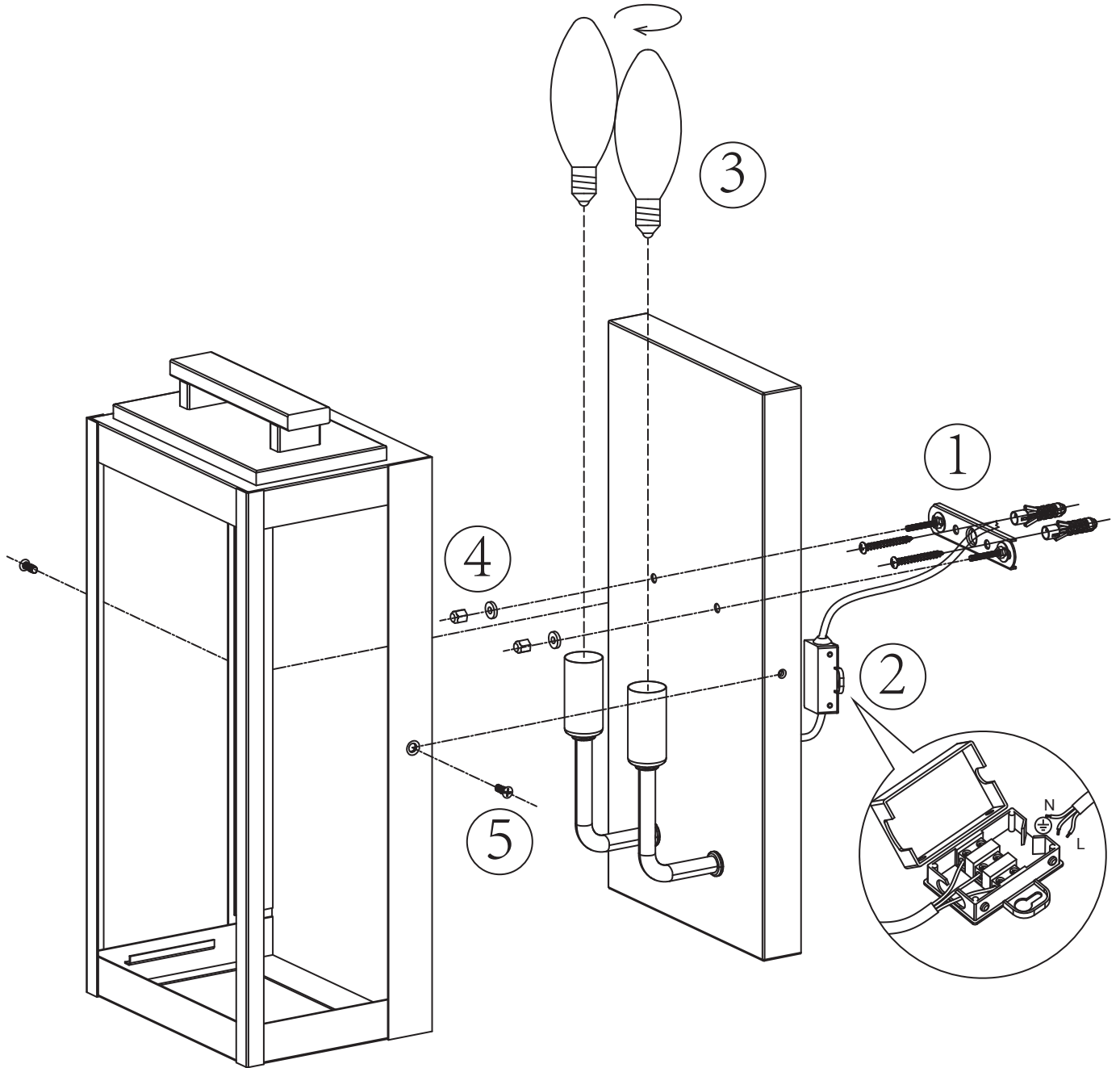


ITEMNO.:TRUMAN EX2



240V ~ 50Hz E14 Max.25W x2

NOTE: GLOBE NOT INCLUDED

IMPORTANT
Must be installed by a qualified electrical contractor.
Install in accordance with AS/NZS3000