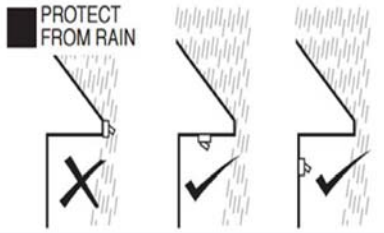
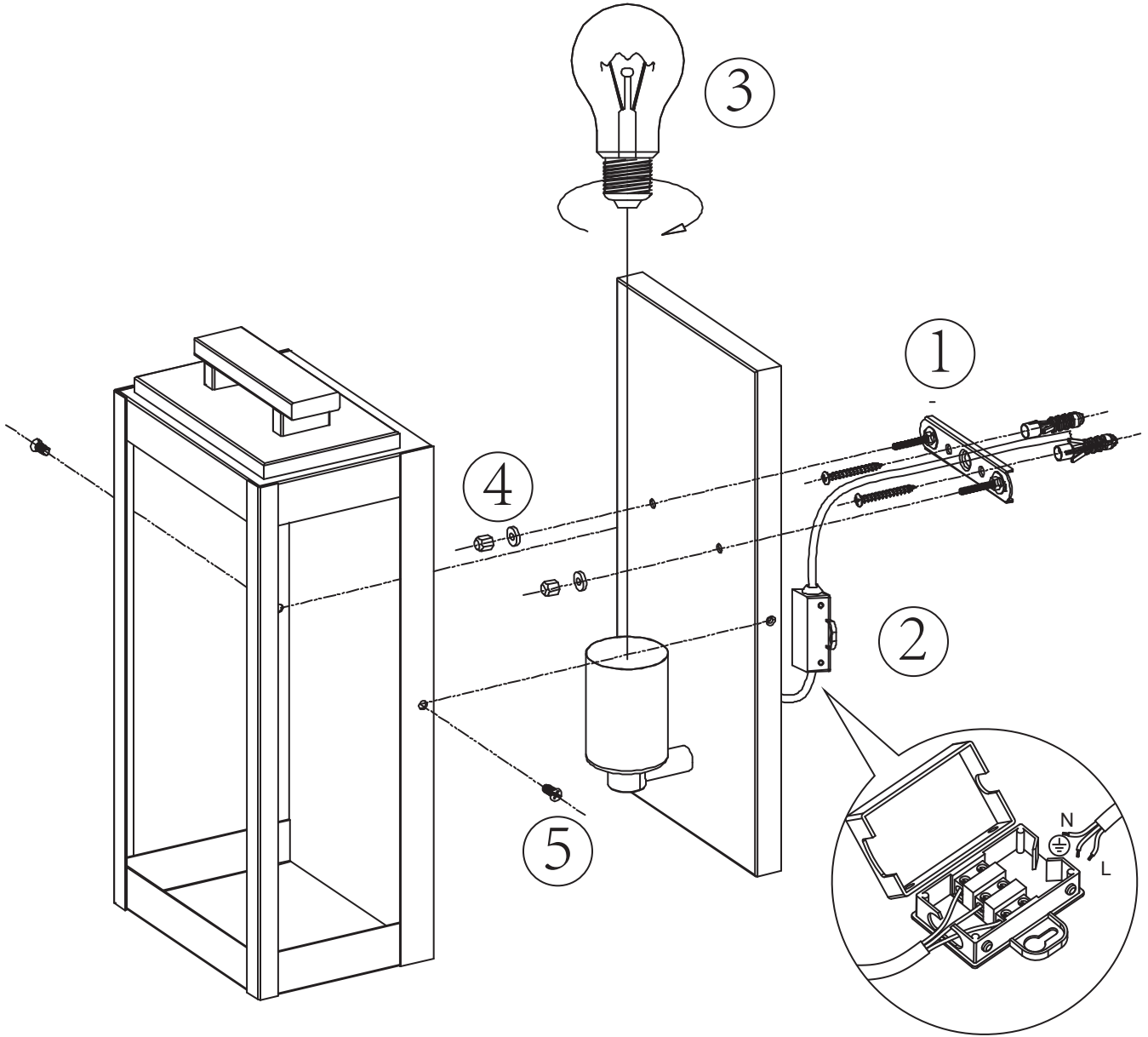


# ITEM NO.: TRUMAN EX1



- Disclaimer:
- Tools not included
  - Shade ring attached on lamp holder
  - Globe(s) not included

**IMPORTANT**  
 Must be installed by a qualified electrical contractor.  
 Install in accordance with AS/NZS3000



240V ~ 50Hz E27 Max.25W x1  
 NOTE: GLOBE NOT INCLUDED