

Last modification

2023-06-25

TOBERA WB-BZ

9329501064313



The TOBERA wall lamp is a beautifully crafted piece that adds a touch of elegance to any interior space. Made from solid brass, this lamp is handmade and available in three stunning finishes: brass, black, and bronze. Its versatile design allows for indoor or outdoor use, and its IP44 waterproof rating makes it perfect for use in damp or wet environments. It is compatible with GU10 globes, allowing you to choose the perfect light for your space. Whether you are an interior designer looking to add a touch of luxury to a client's home, or simply want to upgrade your own living space, the Tobera wall lamp is an excellent choice.

Overview

Family name	Tobera
Categories	Wall Lights
Mounting	Surface
Usage	Outdoor Lighting, Indoor Lighting

Color / Material

Fixture Color	Bronze
Fixture Material	Aluminium
Canopy Color	Bronze

Size

Fixture Width (cm)	12.0
Fixture Height (cm)	40.0
Fixture Projection (cm)	17.5
Canopy Projection (cm)	2.5
Canopy Width (cm)	12.0
Canopy Height	40.0

Specification

Voltage Input	240V
Total Wattage (max)	6
Globe Type	GU10
Globe / Light Source qty	1
Globe / Light Source included	No
IP rating	IP44

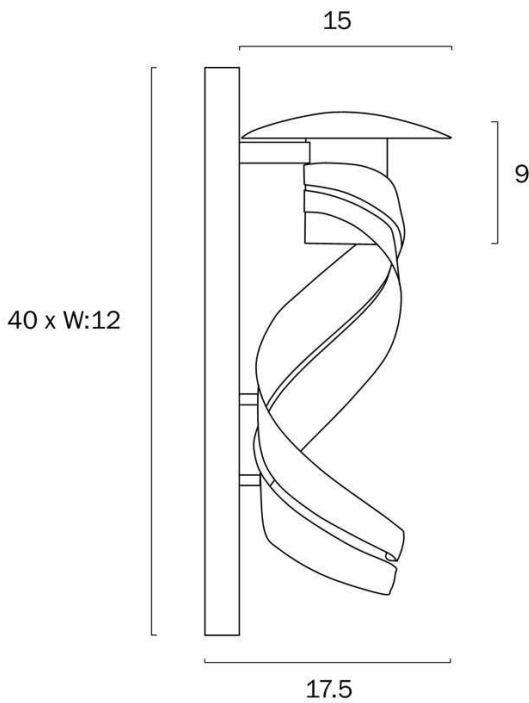
All representations within this document are subject to copyright. ELECTRICAL INSTALLATIONS MUST BE PERFORMED BY A QUALIFIED ELECTRICAL CONTRACTOR AND INSTALLED IN ACCORDANCE WITH AS/NZS 3000.
NOTE : All images , descriptions and dimensions are indicative. Please check latest version of item detail on Telbix website prior to ordering or installation.

Approvals	RCM
Assembly Required	Yes
Box Contents	Instruction, Basic mounting screws
Installation Required	Yes (by Licensed Electrician only)
Care Instructions	Aluminium, Brass and Stainless Steel will naturally oxidised and change overtime. Exterior products require regular four (4) monthly cleaning and maintenance to ensure they do not accumulate dirt or other environmental deposits. Wipe the product with a mild detergent and warm water to remove surface deposits. Rinse with fresh water and wipe dry with a soft cloth. An extra temporary protection barrier of water displacement oil can help to maintain the surface, such as WD40, sprayed onto a soft cloth and rubbed onto the surface.
Replacement Warranty	*3 Years

Barcode

GTIN 9329501064313

Image -dimensions



Note: Dimensions are only a guide and may vary due to manufacturing variations.

Globe Type Recommended

Label	Color Temperature	Thumbnail	GTIN
GL GU10LED5LD			
GL GU10LED6W6			



