

TICK-8-WHT LED Downlight



Description

The TICK range of LED downlights incorporates cost saving materials to produce a cost effective and well performing downlight without compromising on quality. Bright output 8W LED recessed downlight with flat fascia frame, opal diffuser, dimmable LED driver flex & plug. Fully dimmable with suitable dimmers. Now with TRIO, the added option of changing the colour temperature output of the downlight with a dip switch at the back of the fitting. The TICK series comes standard in the box with a white fascia. For Black and Satin Chrome finishes, simply remove the White Fascia and Choose the Black or Satin Chrome fascia frames sold separately as an optional extra. Backed by a 5 Year Warranty.

Specification Features

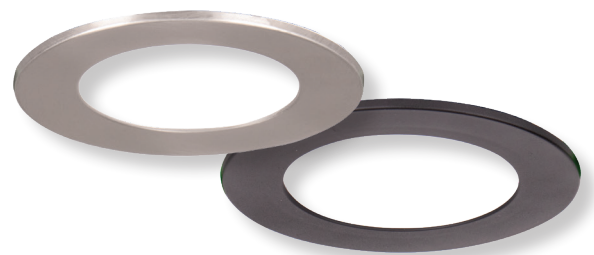
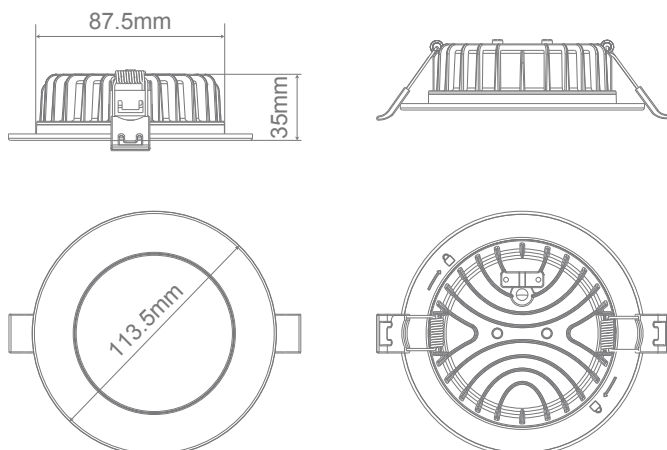
Input Voltage:	240V AC
Power (W):	8W
IP rating (IP):	44*
Lumens (lm):	Warm White 3000K - 750lm Neutral White 4000K - 800lm White 5700K - 780lm
LED type:	SMD
CCT:	3000K - 4000K - 5700K (Switchable)
Class:	Class II (No Earth Required)
CRI:	≥80
Beam angle (°):	110°
Dimmable:	Yes**
Lifespan (hrs):	35,000hrs
Cutout (Ø):	Ø90-100mm

* IP44 rating is from the underside of the downlight once installed into the ceiling.
** Fully dimmable with suitable dimmers.



Item No.	Variant			CCT
	Wht	Blk	Snck	
TICK-8-WHT	20828	N/A	N/A	TRIO

Diagrams / Additional



Item No.	Variant			CCT
	Wht	Blk	Snck	
TICK-COVER	N/A	20829	20830	N/A

