

Last modification 2023-10-04

**ZELDIN EX40-BK**  
**9329501066188**



The Zeldin Exterior Wall Lamp draws inspiration from traditional lanterns, infusing your outdoor space with classic elegance. Its distinguishing feature is the unique tile roof pressing on top, which adds a distinctive touch to its design. Crafted with care and attention to detail, this outdoor lamp is a blend of timeless aesthetics and modern functionality. Illuminate your surroundings with a touch of tradition and sophistication, courtesy of the Zeldin Wall Lamp. Available in black or brass and in 2 sizes.

## Overview

<b>Family name</b>	Zeldin
<b>Categories</b>	Coach Lights
<b>Mounting</b>	Surface
<b>Usage</b>	Outdoor Lighting

## Color / Material

<b>Fixture Color</b>	Black
<b>Fixture Material</b>	Solid Brass

## Size

<b>Fixture Width (cm)</b>	18.0
<b>Fixture Height (cm)</b>	40.5
<b>Fixture Projection (cm)</b>	22.0

## Specification

<b>Voltage Input</b>	240V
<b>Total Wattage (max)</b>	25
<b>Globe Type</b>	E27
<b>Globe / Light Source qty</b>	1
<b>Globe / Light Source included</b>	No
<b>Electrical Protection</b>	CLASS I - HIGH VOLTAGE, EARTH REQUIRED
<b>IP rating</b>	IP43
<b>Lead and Plug</b>	No
<b>Approvals</b>	RCM
<b>Assembly Required</b>	No
<b>Installation Required</b>	Yes (by Licensed Electrician only)

All representations within this document are subject to copyright. ELECTRICAL INSTALLATIONS MUST BE PERFORMED BY A QUALIFIED ELECTRICAL CONTRACTOR AND INSTALLED IN ACCORDANCE WITH AS/NZS 3000.  
NOTE : All images , descriptions and dimensions are indicative. Please check latest version of item detail on Telbix website prior to ordering or installation.

**Care Instructions**

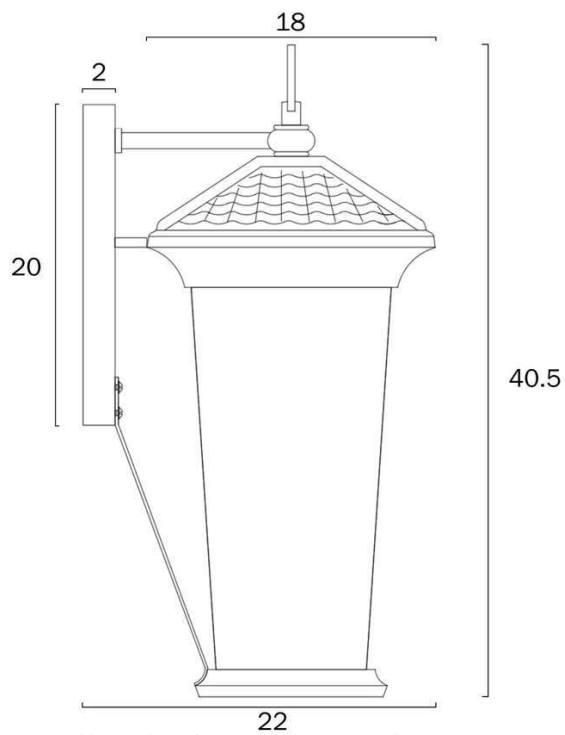
Do not use strong liquid cleaners, Wipe clean with a dry cloth

**Replacement Warranty**

\*3 Years

**Barcode****GTIN**

9329501066188

**Image -dimensions**

Note: Dimensions are only a guide and may vary due to manufacturing variations.

