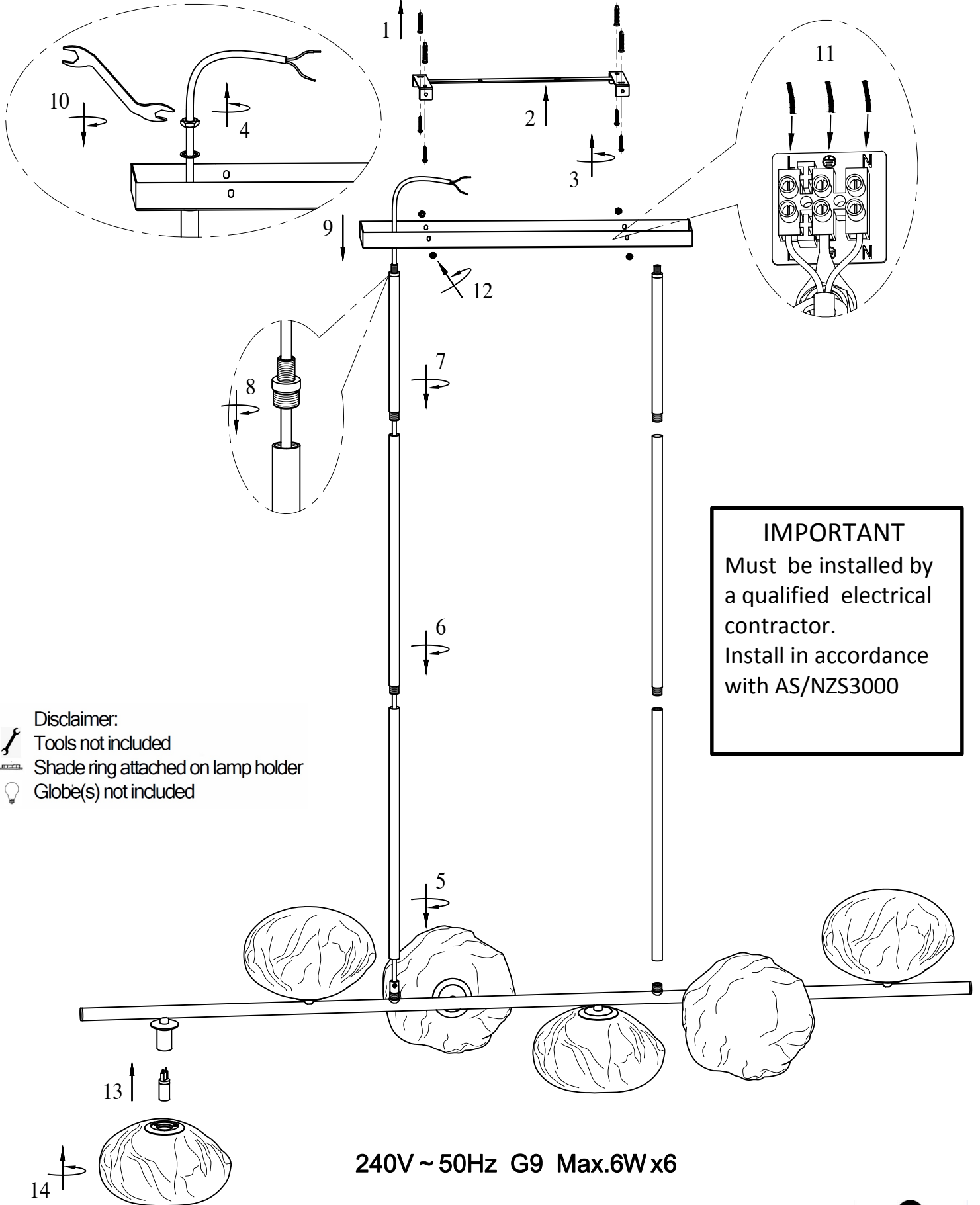
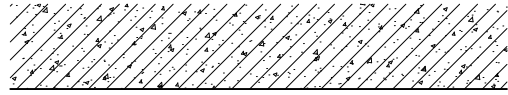


ITEMNO.: ZECCA PE6



IMPORTANT
Must be installed by a qualified electrical contractor.
Install in accordance with AS/NZS3000

- Disclaimer:
- Tools not included
 - Shade ring attached on lamp holder
 - Globe(s) not included

240V ~ 50Hz G9 Max.6W x6

NOTE: GLOBE NOT INCLUDED

