

Last modification 2023-10-04

## VALMONT PE-BRS 9329501066140



The Valmont Artisan Brass Pendant Light is a true masterpiece of design. Its composition elegantly marries clear water glass and acid frost glass panels, creating a harmonious play of light and texture. This captivating fixture is adorned with hand-pressed brass emblems, adding a touch of bespoke craftsmanship to its already exquisite design. Illuminate your space with the enchanting allure of the Valmont pendant. Can be mounted close to ceiling.

### Overview

<b>Family name</b>	Valmont
<b>Categories</b>	Pendants
<b>Suspension Type</b>	Chain
<b>Usage</b>	Indoor Lighting

### Color / Material

<b>Fixture Color</b>	Brass
<b>Fixture Finish</b>	Brass
<b>Fixture Material</b>	Solid Brass
<b>Diffuser Material</b>	Glass

### Size

<b>Fixture Width (cm)</b>	50.0
<b>Fixture Height (cm)</b>	23.0
<b>Suspension Length (cm)</b>	200.0

### Specification

<b>Voltage Input</b>	240V
<b>Total Wattage (max)</b>	125
<b>Wattage</b>	25
<b>Globe Type</b>	E27
<b>Globe / Light Source qty</b>	5
<b>Globe / Light Source included</b>	No
<b>Dimmable</b>	Globe Dependant
<b>Electrical Protection</b>	CLASS I - HIGH VOLTAGE, EARTH REQUIRED
<b>IP rating</b>	IP20

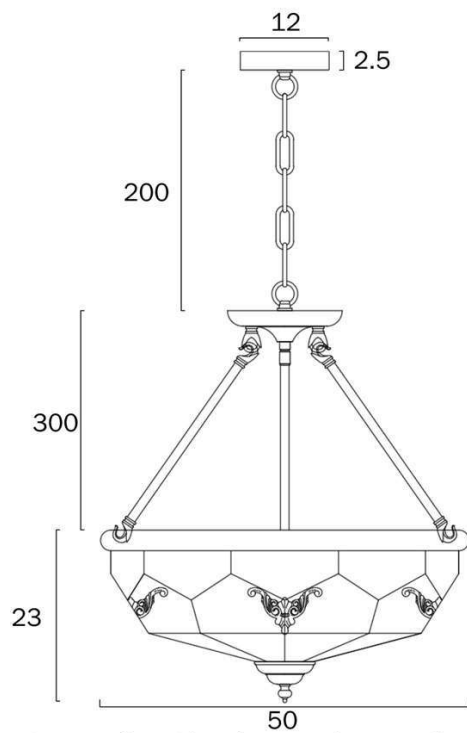
All representations within this document are subject to copyright. ELECTRICAL INSTALLATIONS MUST BE PERFORMED BY A QUALIFIED ELECTRICAL CONTRACTOR AND INSTALLED IN ACCORDANCE WITH AS/NZS 3000.  
NOTE : All images , descriptions and dimensions are indicative. Please check latest version of item detail on Telbix website prior to ordering or installation.

<b>Lead and Plug</b>	No
<b>Approvals</b>	RCM
<b>Installation Required</b>	Yes (by Licensed Electrician only)
<b>Care Instructions</b>	Do not use strong liquid cleaners, Wipe clean with a dry cloth
<b>Replacement Warranty</b>	*3 Years

## Barcode

**GTIN** 9329501066140

## Image -dimensions



Note: Dimensions are only a guide and may vary due to manufacturing variations.

