

Last modification

2023-10-04

## TREMONT EX-BK

9329501066102



The Tremont Exterior Wall Lamp, a tribute to the romantic charm of classic France. Available in solid brass or sleek black finish, this outdoor fixture features enchanting water glass, reminiscent of antique French lanterns. Its timeless design not only illuminates but transforms your outdoor space into a haven of nostalgia and sophistication. Add a touch of old-world allure to your home's exterior with the Tremont Wall Lamp.

### Overview

<b>Family name</b>	Tremont
<b>Categories</b>	Coach Lights
<b>Usage</b>	Outdoor Lighting

### Color / Material

<b>Fixture Color</b>	Black, Clear
<b>Fixture Material</b>	Solid Brass
<b>Glass Color</b>	Clear
<b>Glass Finish</b>	Water pattern

### Size

<b>Fixture Width (cm)</b>	23.0
<b>Fixture Height (cm)</b>	52.0
<b>Fixture Projection (cm)</b>	29.5

### Specification

<b>Voltage Input</b>	240V
<b>Total Wattage (max)</b>	50
<b>Wattage</b>	25
<b>Globe Type</b>	E14
<b>Globe / Light Source qty</b>	2
<b>Globe / Light Source included</b>	No
<b>Dimmable</b>	Globe Dependant
<b>Electrical Protection</b>	CLASS I - HIGH VOLTAGE, EARTH REQUIRED
<b>IP rating</b>	IP44
<b>Lead and Plug</b>	No

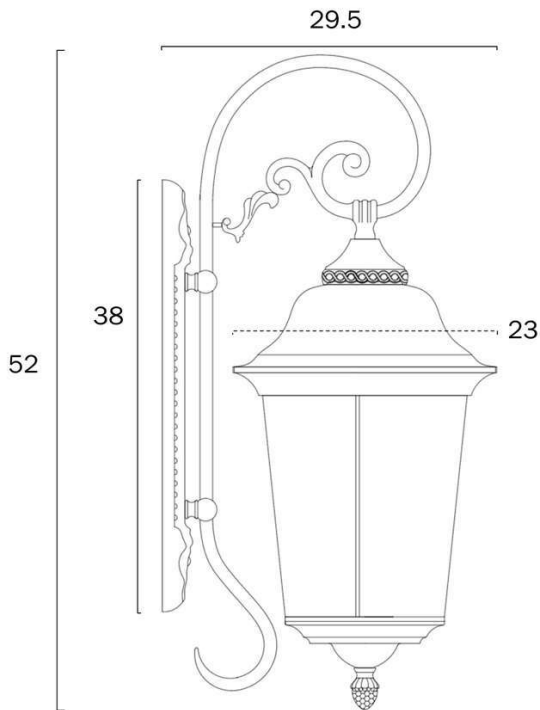
All representations within this document are subject to copyright. ELECTRICAL INSTALLATIONS MUST BE PERFORMED BY A QUALIFIED ELECTRICAL CONTRACTOR AND INSTALLED IN ACCORDANCE WITH AS/NZS 3000.  
NOTE : All images , descriptions and dimensions are indicative. Please check latest version of item detail on Telbix website prior to ordering or installation.

<b>Approvals</b>	RCM
<b>Installation Required</b>	Yes (by Licensed Electrician only)
<b>Care Instructions</b>	Do not use strong liquid cleaners, Wipe clean with a dry cloth
<b>Replacement Warranty</b>	*3 Years

Barcode

**GTIN** 9329501066102

Image -dimensions



Note: Dimensions are only a guide and may vary due to manufacturing variations.