

Last modification

2024-07-19

SHELTON EX-BK

9329501069066



The Shelton Exterior Wall Light exudes stunning vintage and French Provincial style, crafted from durable aluminium and featuring a distinctive wave glass design. Ideal for outdoor spaces, it combines elegant aesthetics with practical functionality, adding charm and character to any exterior setting.

Overview

Family Name	Shelton
Categories	Coach Lights
Usage	Outdoor Lighting

Color / Material

Fixture Color	Black
Fixture Finish	Sand
Fixture Material	Aluminium, Glass

Size

Fixture Width (cm)	23.0
Fixture Height (cm)	63.0
Fixture Projection (cm)	34.0
Canopy Projection (cm)	3.0
Canopy Width (cm)	13.5
Canopy Height	35.0

Specification

Voltage Input	240V
Total Wattage (max)	25
Globe Type	E27
Globe / Light Source qty	1
Globe / Light Source included	No
Electrical Protection	CLASS I - HIGH VOLTAGE, EARTH REQUIRED
IP rating	IP44
Lead and Plug	No
Approvals	RCM

All representations within this document are subject to copyright. ELECTRICAL INSTALLATIONS MUST BE PERFORMED BY A QUALIFIED ELECTRICAL CONTRACTOR AND INSTALLED IN ACCORDANCE WITH AS/NZS 3000.
NOTE : All images , descriptions and dimensions are indicative. Please check latest version of item detail on Telbix website prior to ordering or installation.

Installation Required

Yes (by Licensed Electrician only)

Care Instructions

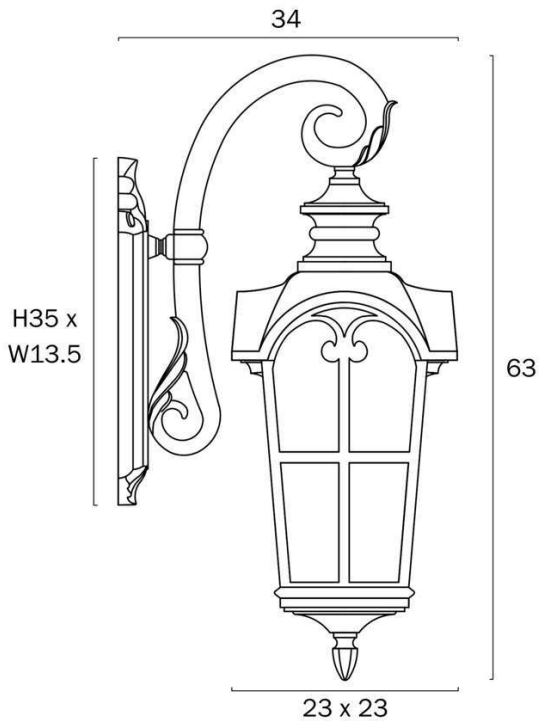
Aluminium, Brass and Stainless Steel will naturally oxidised and change overtime. Exterior products require regular four (4) monthly cleaning and maintenance to ensure they do not accumulate dirt or other environmental deposits. Wipe the product with a mild detergent and warm water to remove surface deposits. Rinse with fresh water and wipe dry with a soft cloth. An extra temporary protection barrier of water displacement oil can help to maintain the surface, such as WD40, sprayed onto a soft cloth and rubbed onto the surface., Do not use strong liquid cleaners, Wipe clean with a dry cloth

Replacement Warranty

*3 Years

Barcode**GTIN**

9329501069066

Image -dimensions

Note: Dimensions are only a guide and may vary due to manufacturing variations.



Last modification 2024-07-19

SHELTON EX-WH 9329501069073



The Shelton Exterior Wall Light exudes stunning vintage and French Provincial style, crafted from durable aluminium and featuring a distinctive wave glass design. Ideal for outdoor spaces, it combines elegant aesthetics with practical functionality, adding charm and character to any exterior setting.

Overview

Family Name	Shelton
Categories	Coach Lights
Usage	Outdoor Lighting

Color / Material

Fixture Color	White
Fixture Finish	Sand
Fixture Material	Aluminium, Glass

Size

Fixture Width (cm)	23.0
Fixture Height (cm)	63.0
Fixture Projection (cm)	34.0
Canopy Projection (cm)	3.0
Canopy Width (cm)	13.5
Canopy Height	35.0

Specification

Voltage Input	240V
Total Wattage (max)	25
Globe Type	E27
Globe / Light Source qty	1
Globe / Light Source included	No
Electrical Protection	CLASS I - HIGH VOLTAGE, EARTH REQUIRED
IP rating	IP44
Lead and Plug	No
Approvals	RCM

All representations within this document are subject to copyright. ELECTRICAL INSTALLATIONS MUST BE PERFORMED BY A QUALIFIED ELECTRICAL CONTRACTOR AND INSTALLED IN ACCORDANCE WITH AS/NZS 3000.
NOTE : All images , descriptions and dimensions are indicative. Please check latest version of item detail on Telbix website prior to ordering or installation.

Installation Required

Yes (by Licensed Electrician only)

Care Instructions

Aluminium, Brass and Stainless Steel will naturally oxidised and change overtime. Exterior products require regular four (4) monthly cleaning and maintenance to ensure they do not accumulate dirt or other environmental deposits. Wipe the product with a mild detergent and warm water to remove surface deposits. Rinse with fresh water and wipe dry with a soft cloth. An extra temporary protection barrier of water displacement oil can help to maintain the surface, such as WD40, sprayed onto a soft cloth and rubbed onto the surface., Do not use strong liquid cleaners, Wipe clean with a dry cloth

Replacement Warranty

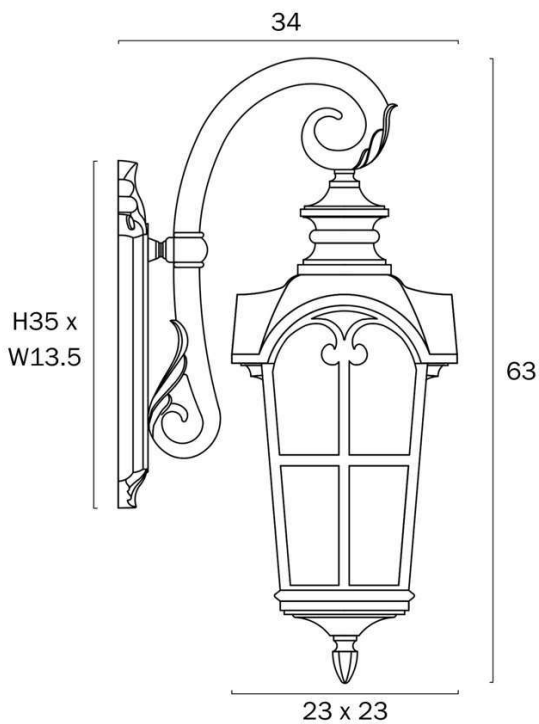
*3 Years

Barcode

GTIN

9329501069073

Image -dimensions



Note: Dimensions are only a guide and may vary due to manufacturing variations.

