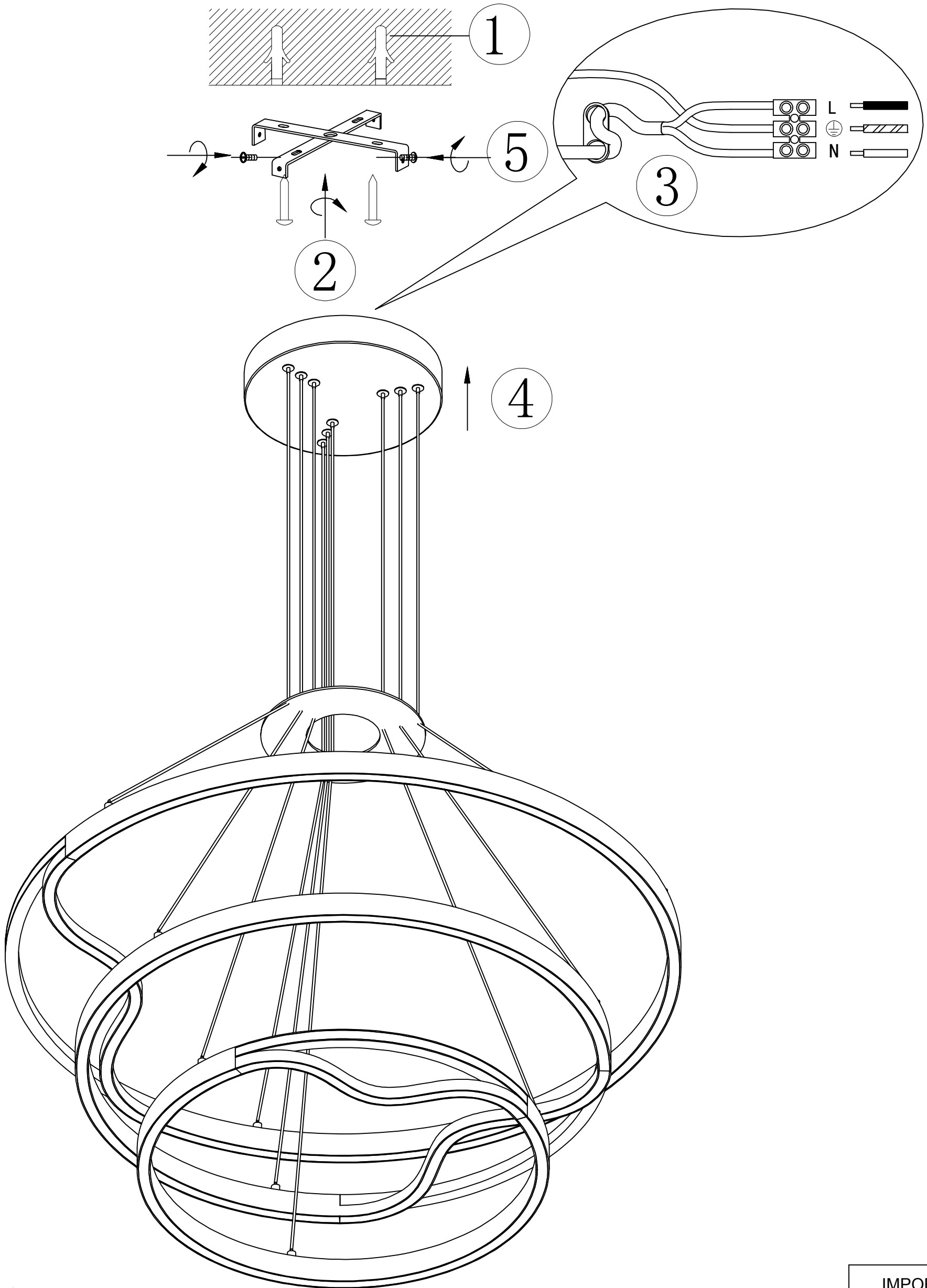


# ITEM NO.: OSTROM PE3T-CG



240V ~ 50Hz LED 92W 3000K

TRAILING EDGE DIMMER



**Telbix.**

**IMPORTANT**  
Must be installed by  
a qualified electrical  
contractor.  
Install in accordance  
with AS/NSZ3000