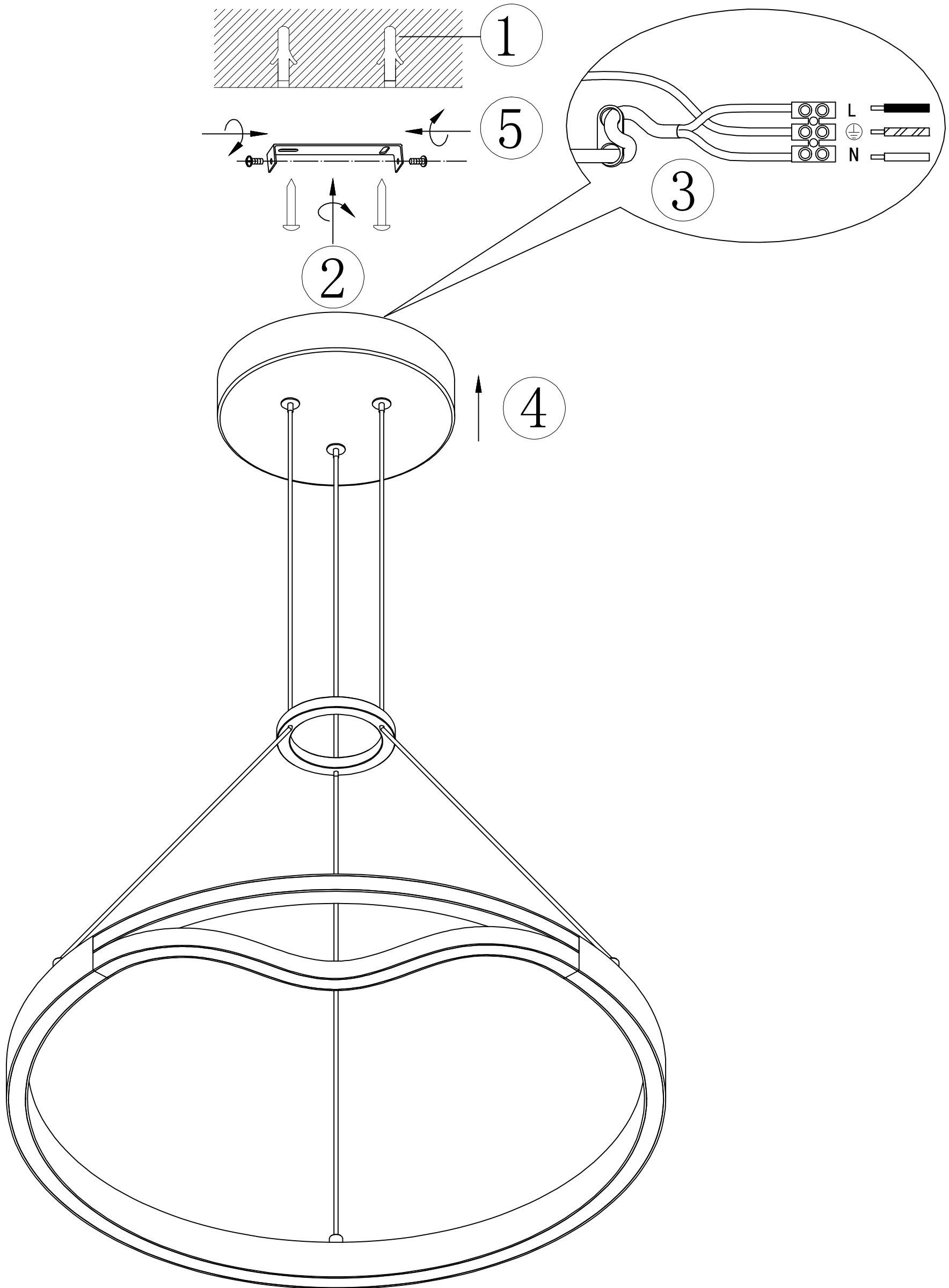


ITEM NO.: OSTROM PE80-CG



240V ~ 50Hz LED 42W 3000K
TRAILING EDGE DIMMER

IMPORTANT
Must be installed by
a qualified electrical
contractor.
Install in accordance
with AS/NSZ3000