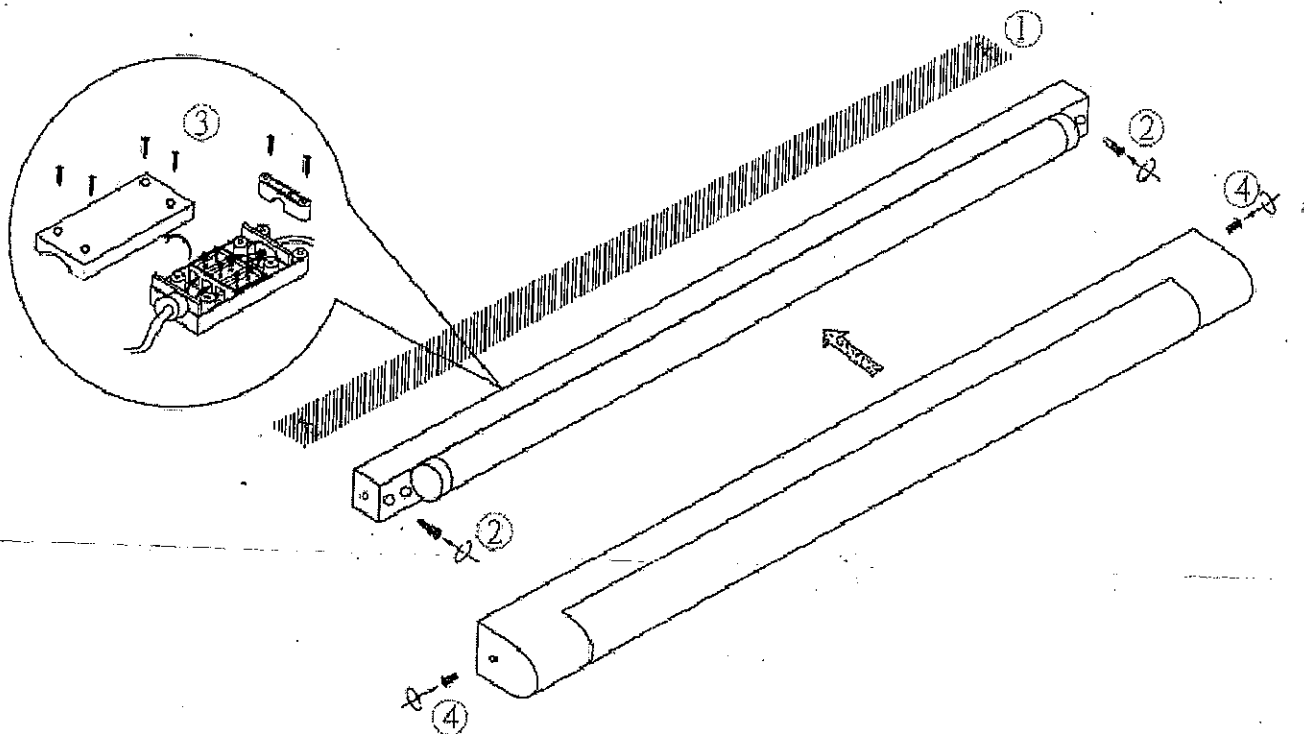
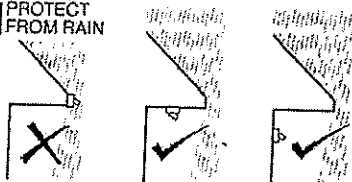


ITEM NO.:ORAS 24.975/18.665/12.420

PROTECT FROM RAIN



240V ~ 50Hz LED 12W/18W/24W

**telbix.**

**IMPORTANT**  
Must be installed by  
a qualified electrical  
contractor.  
Install in accordance  
with AS/NZ3000