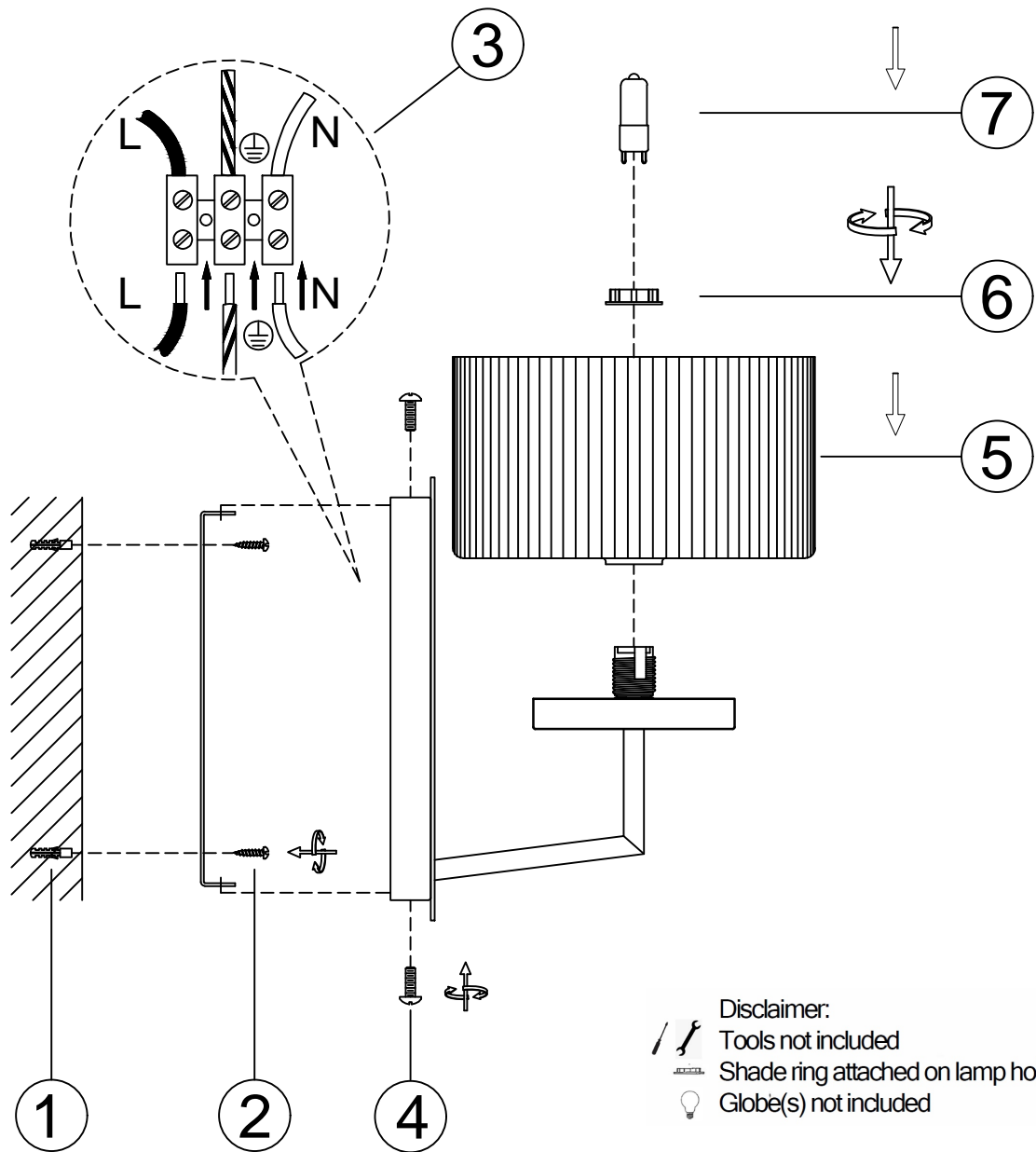


ITEMNO.:MORENO WB



IMPORTANT
 Must be installed by a qualified electrical contractor.
 Install in accordance with AS/NZS3000