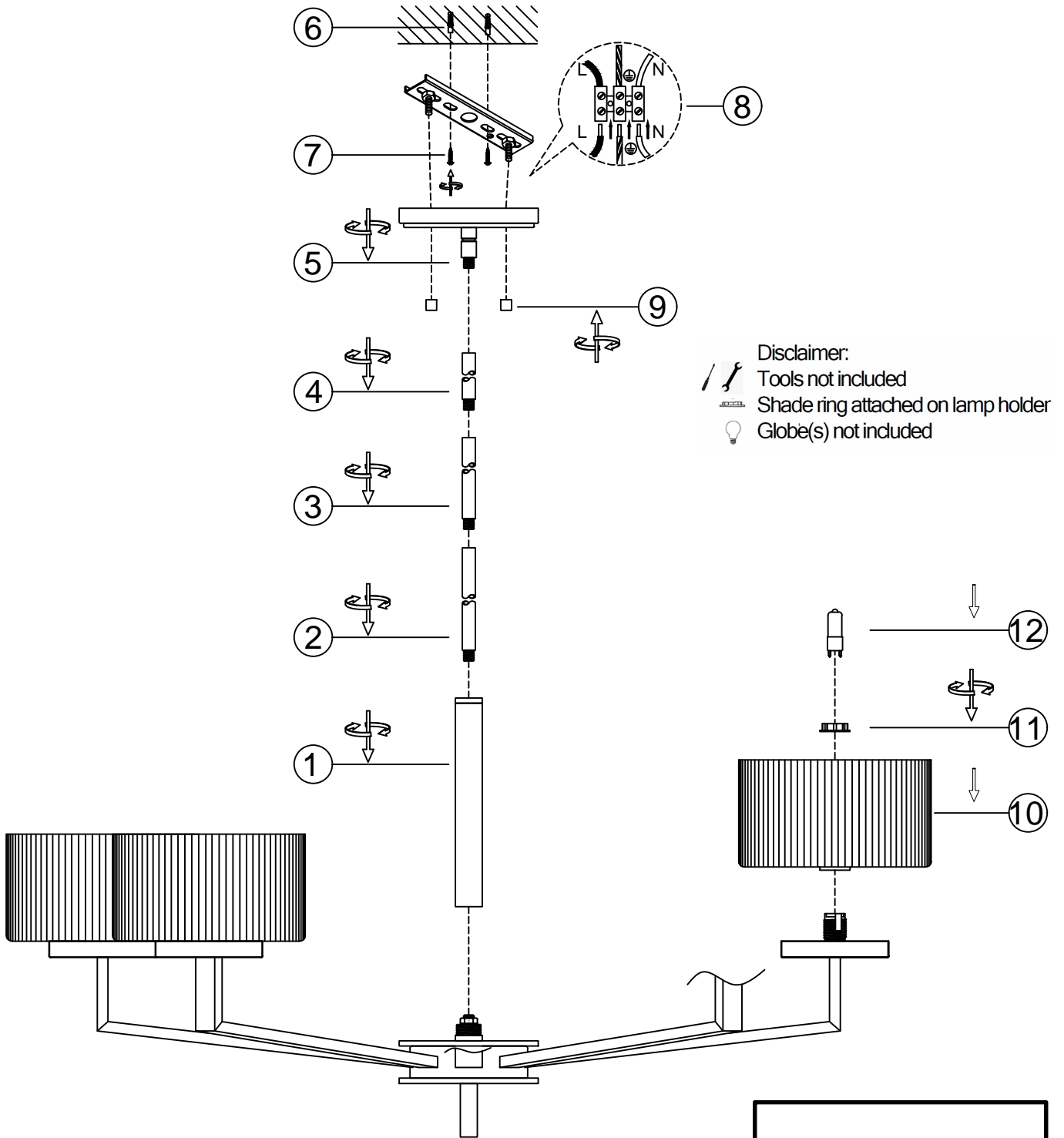


ITEMNO.:MORENO PE8



Telbix.

240V ~ 50Hz G9Max.6Wx8

NOTE: GLOBE NOT INCLUDED

IMPORTANT
 Must be installed by a qualified electrical contractor.
 Install in accordance with AS/NZS3000