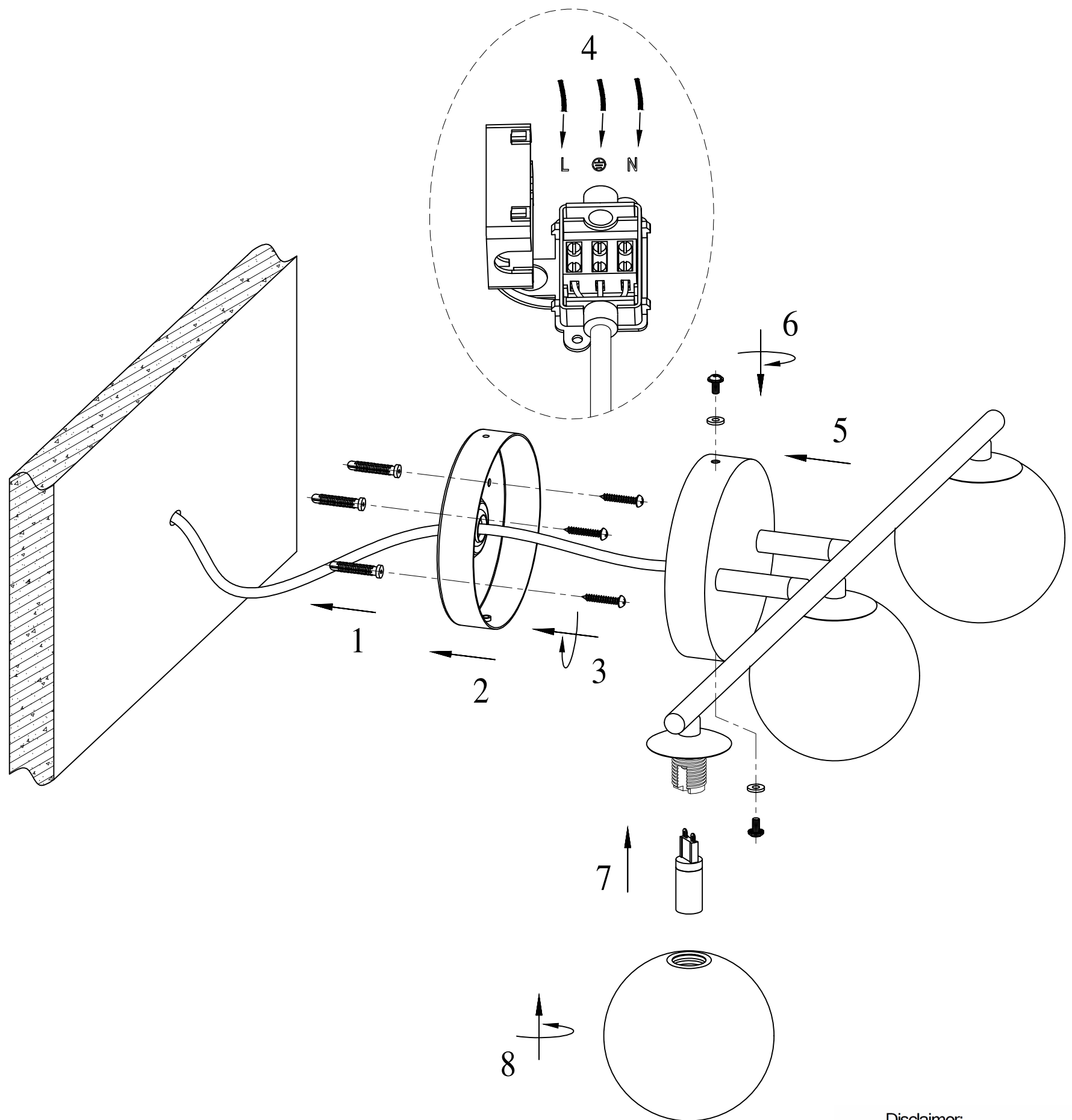


ITEM NO.:MORAN WB 03



Disclaimer:
/ Tools not included
Shade ring attached on lamp holder
Globe(s) not included

240V~50Hz G9 Max.6Wx3

NOTE:GLOBE NOT INCLUDED

IMPORTANT
Must be installed
by a qualified
electrical contractor.
Install in accordance
with AS/NZ3000