

Last modification

2023-07-19

## MODRIC FL-GY

9329501064498



Introducing the MODRIC table and floor lamp, a sleek and modern lighting option for any room in your home. This versatile lamp features a rectangular body with an internal LED strip, providing bright and energy-efficient lighting. The lamp sits on a sturdy square block base, adding a touch of geometric contrast to the design. The brightness of the lamp is easily adjustable with an inline dimmer, allowing you to customize the lighting to your needs. The MODRIC table and floor lamp is available in two colors, so you can choose the one that best matches your decor. Whether you place it on a table or floor, this lamp is sure to make a stylish statement in any room.

### Overview

<b>Family name</b>	Modric
<b>Categories</b>	Floor Lamps
<b>Usage</b>	Indoor Lighting

### Color / Material

<b>Fixture Color</b>	Grey
<b>Fixture Material</b>	Aluminium, Iron, Silicon
<b>Base Color</b>	Grey
<b>Cable Color</b>	Black
<b>Cable Material</b>	PVC

### Size

<b>Fixture Length (cm)</b>	20.0
<b>Fixture Width (cm)</b>	15.0
<b>Fixture Height (cm)</b>	140.0
<b>Cable Length (cm)</b>	200 (50+Foot Switch+150)

### Specification

<b>Voltage Input</b>	240V
<b>Total Wattage (max)</b>	24
<b>Globe Type</b>	LED integrated SMD
<b>Globe / Light Source qty</b>	1
<b>Globe / Light Source included</b>	Yes
<b>Color Temperature</b>	Warm White

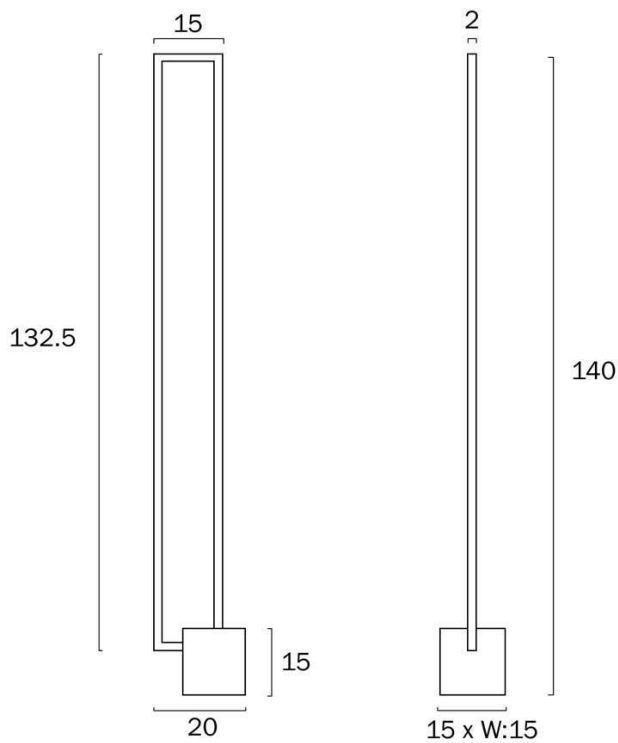
All representations within this document are subject to copyright. ELECTRICAL INSTALLATIONS MUST BE PERFORMED BY A QUALIFIED ELECTRICAL CONTRACTOR AND INSTALLED IN ACCORDANCE WITH AS/NZS 3000.  
NOTE : All images , descriptions and dimensions are indicative. Please check latest version of item detail on Telbix website prior to ordering or installation.

<b>Color Kelvin</b>	3000k
<b>Dimmable</b>	Yes
<b>Electrical Protection</b>	CLASS II - DOUBLE INSULATED, EARTH NOT REQUIRED
<b>IP rating</b>	IP20
<b>Lead and Plug</b>	Yes
<b>Approvals</b>	RCM
<b>Box Contents</b>	Instruction
<b>Care Instructions</b>	Do not use strong liquid cleaners, Wipe clean with a dry cloth
<b>Replacement Warranty</b>	*3 Years

Barcode

**GTIN** 9329501064498

Image -dimensions



Note: Dimensions are only a guide and may vary due to manufacturing variations.

