

Last modification 2024-02-15

## MARBELL PE5-ABAM 9329501069875



The Marbell range epitomises contemporary elegance through its meticulous construction of iron and glass. Available in two refined colour options, this versatile collection offers a comprehensive selection of lighting solutions. From chic wall lights to sophisticated table and floor lamps, as well as stylish pendants and close-to-ceiling fittings, the Marbell range caters to various lighting needs. Each piece seamlessly blends durability with aesthetic appeal, making it a distinctive choice for those seeking a cohesive and modern lighting ensemble to enhance their living spaces.

### Overview

<b>Family name</b>	Marbell
<b>Categories</b>	Pendants
<b>Mounting</b>	Surface
<b>Suspension Type</b>	Cable
<b>Usage</b>	Indoor Lighting

### Color / Material

<b>Fixture Color</b>	Antique Brass, Amber
<b>Fixture Finish</b>	Gloss
<b>Fixture Material</b>	Iron, Glass

### Size

<b>Fixture Length (cm)</b>	140.0
<b>Fixture Width (cm)</b>	14.0
<b>Fixture Height (cm)</b>	20.0
<b>Canopy Length (cm)</b>	6.0
<b>Canopy Width (cm)</b>	38.0
<b>Canopy Height</b>	2.5
<b>Glass Diameter</b>	14.00
<b>Shade Diameter (cm)</b>	14.0
<b>Shade Height (cm)</b>	14.5
<b>Suspension Length (cm)</b>	200.0
<b>Height Adjustable?</b>	Yes

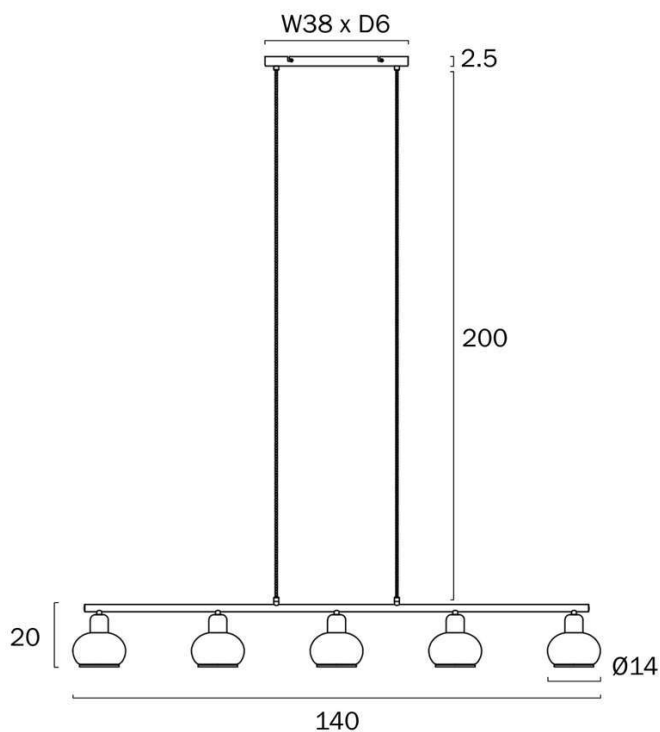
## Specification

<b>Voltage Input</b>	240V
<b>Total Wattage (max)</b>	125
<b>Wattage</b>	25
<b>Globe Type</b>	E27
<b>Globe / Light Source qty</b>	5
<b>Globe / Light Source included</b>	No
<b>Electrical Protection</b>	CLASS I - HIGH VOLTAGE, EARTH REQUIRED
<b>IP rating</b>	IP20
<b>Lead and Plug</b>	No
<b>Approvals</b>	RCM
<b>Assembly Required</b>	Yes
<b>Installation Required</b>	Yes (by Licensed Electrician only)
<b>Care Instructions</b>	Do not use strong liquid cleaners, Wipe clean with a dry cloth
<b>Replacement Warranty</b>	*3 Years

## Barcode

**GTIN** 9329501069875

## Image -dimensions

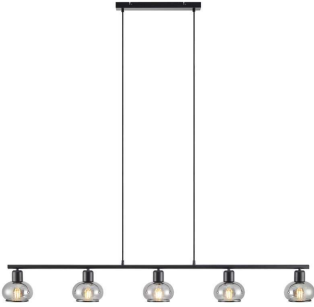


Note: Dimensions are only a guide and may vary due to manufacturing variations.



Last modification 2024-02-15

## MARBELL PE5-BKSM 9329501069868



The Marbell range epitomises contemporary elegance through its meticulous construction of iron and glass. Available in two refined colour options, this versatile collection offers a comprehensive selection of lighting solutions. From chic wall lights to sophisticated table and floor lamps, as well as stylish pendants and close-to-ceiling fittings, the Marbell range caters to various lighting needs. Each piece seamlessly blends durability with aesthetic appeal, making it a distinctive choice for those seeking a cohesive and modern lighting ensemble to enhance their living spaces.

### Overview

<b>Family name</b>	Marbell
<b>Categories</b>	Pendants
<b>Mounting</b>	Surface
<b>Suspension Type</b>	Cable
<b>Usage</b>	Indoor Lighting

### Color / Material

<b>Fixture Color</b>	Black, Smoke
<b>Fixture Finish</b>	Matte
<b>Fixture Material</b>	Iron, Glass

### Size

<b>Fixture Length (cm)</b>	140.0
<b>Fixture Width (cm)</b>	14.0
<b>Fixture Height (cm)</b>	20.0
<b>Canopy Length (cm)</b>	38.0
<b>Canopy Projection (cm)</b>	2.5
<b>Canopy Width (cm)</b>	6.0
<b>Glass Diameter</b>	14.00
<b>Shade Diameter (cm)</b>	14.0
<b>Shade Height (cm)</b>	14.5
<b>Suspension Length (cm)</b>	200.0
<b>Height Adjustable?</b>	Yes

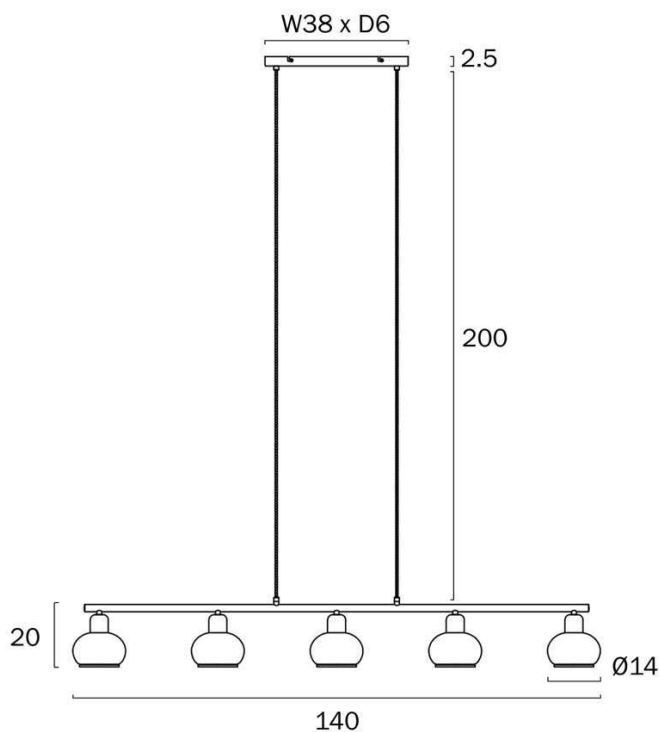
## Specification

<b>Voltage Input</b>	240V
<b>Total Wattage (max)</b>	125
<b>Wattage</b>	25
<b>Globe Type</b>	E27
<b>Globe / Light Source qty</b>	5
<b>Globe / Light Source included</b>	No
<b>Electrical Protection</b>	CLASS I - HIGH VOLTAGE, EARTH REQUIRED
<b>IP rating</b>	IP20
<b>Lead and Plug</b>	No
<b>Approvals</b>	RCM
<b>Assembly Required</b>	Yes
<b>Installation Required</b>	Yes (by Licensed Electrician only)
<b>Care Instructions</b>	Do not use strong liquid cleaners, Wipe clean with a dry cloth
<b>Replacement Warranty</b>	*3 Years

## Barcode

**GTIN** 9329501069868

## Image -dimensions



Note: Dimensions are only a guide and may vary due to manufacturing variations.



