

Last modification 2024-02-15

MARBELL CTC6ABAM 9329501069899



The Marbell range epitomises contemporary elegance through its meticulous construction of iron and glass. Available in two refined colour options, this versatile collection offers a comprehensive selection of lighting solutions. From chic wall lights to sophisticated table and floor lamps, as well as stylish pendants and close-to-ceiling fittings, the Marbell range caters to various lighting needs. Each piece seamlessly blends durability with aesthetic appeal, making it a distinctive choice for those seeking a cohesive and modern lighting ensemble to enhance their living spaces.

Overview

| | |
|--------------------|-------------------|
| Family name | Marbell |
| Categories | Close to Ceilings |
| Mounting | Surface |
| Usage | Indoor Lighting |

Color / Material

| | |
|-------------------------|----------------------|
| Fixture Color | Antique Brass, Amber |
| Fixture Finish | Gloss |
| Fixture Material | Iron, Glass |

Size

| | |
|--------------------------------|-------|
| Fixture Length (cm) | 44.0 |
| Fixture Width (cm) | 69.5 |
| Fixture Projection (cm) | 20.0 |
| Canopy Diameter (cm) | 12.0 |
| Canopy Projection (cm) | 2.5 |
| Canopy Height | 2.5 |
| Glass Diameter | 14.00 |
| Shade Diameter (cm) | 14.0 |
| Shade Height (cm) | 14.5 |
| Height Adjustable? | No |

Specification

| | |
|----------------------------|------|
| Voltage Input | 240V |
| Total Wattage (max) | 150 |

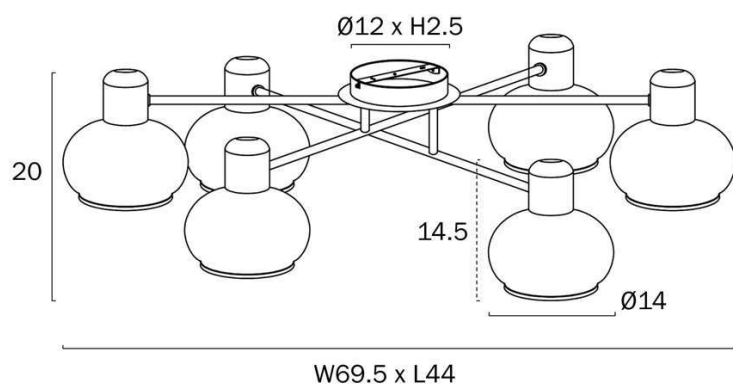
All representations within this document are subject to copyright. ELECTRICAL INSTALLATIONS MUST BE PERFORMED BY A QUALIFIED ELECTRICAL CONTRACTOR AND INSTALLED IN ACCORDANCE WITH AS/NZS 3000.
NOTE : All images , descriptions and dimensions are indicative. Please check latest version of item detail on Telbix website prior to ordering or installation.

| | |
|--------------------------------------|--|
| Wattage | 25 |
| Globe Type | E27 |
| Globe / Light Source qty | 6 |
| Globe / Light Source included | No |
| Electrical Protection | CLASS I - HIGH VOLTAGE, EARTH REQUIRED |
| IP rating | IP20 |
| Lead and Plug | No |
| Approvals | RCM |
| Assembly Required | Yes |
| Installation Required | Yes (by Licensed Electrician only) |
| Care Instructions | Do not use strong liquid cleaners, Wipe clean with a dry cloth |
| Replacement Warranty | *3 Years |

Barcode

GTIN 9329501069899

Image -dimensions



Note: Dimensions are only a guide and may vary due to manufacturing variations.



Last modification

2024-02-15

MARBELL CTC6BKSM

9329501069882



The Marbell range epitomises contemporary elegance through its meticulous construction of iron and glass. Available in two refined colour options, this versatile collection offers a comprehensive selection of lighting solutions. From chic wall lights to sophisticated table and floor lamps, as well as stylish pendants and close-to-ceiling fittings, the Marbell range caters to various lighting needs. Each piece seamlessly blends durability with aesthetic appeal, making it a distinctive choice for those seeking a cohesive and modern lighting ensemble to enhance their living spaces.

Overview

| | |
|--------------------|-------------------|
| Family name | Marbell |
| Categories | Close to Ceilings |
| Mounting | Surface |
| Usage | Indoor Lighting |

Color / Material

| | |
|-------------------------|--------------|
| Fixture Color | Black, Smoke |
| Fixture Finish | Matte |
| Fixture Material | Iron, Glass |

Size

| | |
|--------------------------------|-------|
| Fixture Length (cm) | 44.0 |
| Fixture Width (cm) | 69.5 |
| Fixture Projection (cm) | 20.0 |
| Canopy Diameter (cm) | 12.0 |
| Canopy Projection (cm) | 2.5 |
| Glass Diameter | 14.00 |
| Shade Diameter (cm) | 14.0 |
| Shade Height (cm) | 14.5 |
| Height Adjustable? | No |

Specification

| | |
|----------------------------|------|
| Voltage Input | 240V |
| Total Wattage (max) | 150 |
| Wattage | 25 |

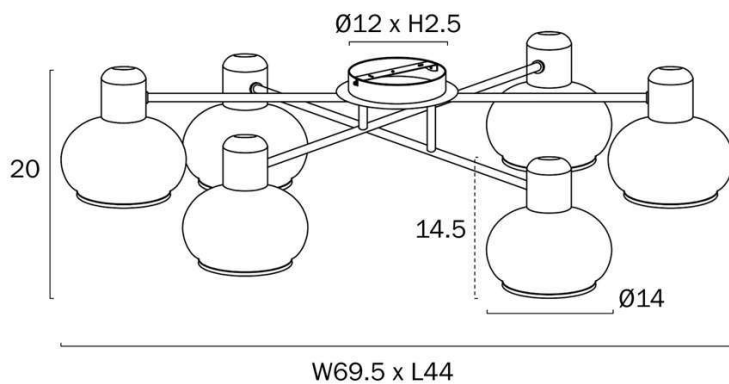
All representations within this document are subject to copyright. ELECTRICAL INSTALLATIONS MUST BE PERFORMED BY A QUALIFIED ELECTRICAL CONTRACTOR AND INSTALLED IN ACCORDANCE WITH AS/NZS 3000.
NOTE : All images , descriptions and dimensions are indicative. Please check latest version of item detail on Telbix website prior to ordering or installation.

| | |
|--------------------------------------|--|
| Globe Type | E27 |
| Globe / Light Source qty | 6 |
| Globe / Light Source included | No |
| Electrical Protection | CLASS I - HIGH VOLTAGE, EARTH REQUIRED |
| IP rating | IP20 |
| Lead and Plug | No |
| Approvals | RCM |
| Assembly Required | Yes |
| Installation Required | Yes (by Licensed Electrician only) |
| Care Instructions | Do not use strong liquid cleaners, Wipe clean with a dry cloth |
| Replacement Warranty | *3 Years |

Barcode

GTIN 9329501069882

Image -dimensions



Note: Dimensions are only a guide and may vary due to manufacturing variations.

