

Last modification 2024-07-19

## MALLORY EX30-BK 9329501069103



The Mallory exterior wall light features an elegant blend of aluminium and glass construction, perfect for enhancing the charm of your outdoor spaces. Its design embodies the timeless appeal of country and French provincial styles. Available in two sizes, this versatile light fixture seamlessly integrates into various exterior settings, offering both functionality and aesthetic sophistication.

### Overview

<b>Family Name</b>	Mallory
<b>Categories</b>	Wall Lights
<b>Usage</b>	Outdoor Lighting

### Color / Material

<b>Fixture Color</b>	Black
<b>Fixture Finish</b>	Sand
<b>Fixture Material</b>	Aluminium, Glass

### Size

<b>Fixture Length (cm)</b>	14.0
<b>Fixture Width (cm)</b>	14.0
<b>Fixture Height (cm)</b>	31.0
<b>Fixture Projection (cm)</b>	16.0
<b>Canopy Length (cm)</b>	2.0
<b>Canopy Projection (cm)</b>	2.0
<b>Canopy Width (cm)</b>	11.0
<b>Canopy Height</b>	16.0

### Specification

<b>Voltage Input</b>	240V
<b>Total Wattage (max)</b>	25
<b>Globe Type</b>	E27
<b>Globe / Light Source qty</b>	1
<b>Globe / Light Source included</b>	No
<b>Electrical Protection</b>	CLASS I - HIGH VOLTAGE, EARTH REQUIRED
<b>IP rating</b>	IP43

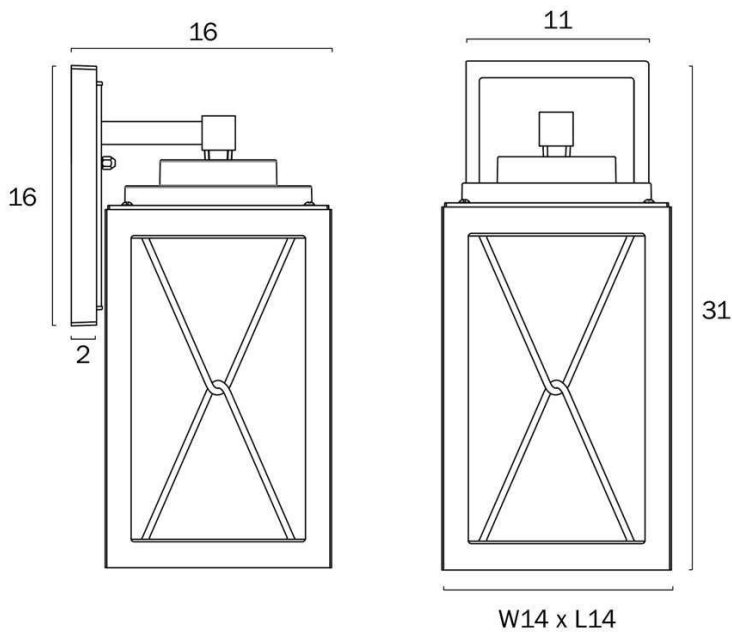
All representations within this document are subject to copyright. ELECTRICAL INSTALLATIONS MUST BE PERFORMED BY A QUALIFIED ELECTRICAL CONTRACTOR AND INSTALLED IN ACCORDANCE WITH AS/NZS 3000.  
NOTE : All images , descriptions and dimensions are indicative. Please check latest version of item detail on Telbix website prior to ordering or installation.

<b>Lead and Plug</b>	No
<b>Approvals</b>	RCM
<b>Installation Required</b>	Yes (by Licensed Electrician only)
<b>Care Instructions</b>	Aluminium, Brass and Stainless Steel will naturally oxidised and change overtime. Exterior products require regular four (4) monthly cleaning and maintenance to ensure they do not accumulate dirt or other environmental deposits. Wipe the product with a mild detergent and warm water to remove surface deposits. Rinse with fresh water and wipe dry with a soft cloth. An extra temporary protection barrier of water displacement oil can help to maintain the surface, such as WD40, sprayed onto a soft cloth and rubbed onto the surface., Do not use strong liquid cleaners, Wipe clean with a dry cloth
<b>Replacement Warranty</b>	*3 Years

Barcode

**GTIN** 9329501069103

Image -dimensions



Note: Dimensions are only a guide and may vary due to manufacturing variations.

Last modification 2024-07-19

## MALLORY EX40-BK 9329501069110



The Mallory exterior wall light features an elegant blend of aluminium and glass construction, perfect for enhancing the charm of your outdoor spaces. Its design embodies the timeless appeal of country and French provincial styles. Available in two sizes, this versatile light fixture seamlessly integrates into various exterior settings, offering both functionality and aesthetic sophistication.

### Overview

<b>Family Name</b>	Mallory
<b>Categories</b>	Wall Lights
<b>Usage</b>	Outdoor Lighting

### Color / Material

<b>Fixture Color</b>	Black
<b>Fixture Finish</b>	Sand
<b>Fixture Material</b>	Aluminium, Glass

### Size

<b>Fixture Length (cm)</b>	14.0
<b>Fixture Width (cm)</b>	14.0
<b>Fixture Height (cm)</b>	41.0
<b>Fixture Projection (cm)</b>	16.0
<b>Canopy Length (cm)</b>	2.0
<b>Canopy Projection (cm)</b>	2.0
<b>Canopy Width (cm)</b>	11.0
<b>Canopy Height</b>	16.0

### Specification

<b>Voltage Input</b>	240V
<b>Total Wattage (max)</b>	25
<b>Globe Type</b>	E27
<b>Globe / Light Source qty</b>	1
<b>Globe / Light Source included</b>	No
<b>Electrical Protection</b>	CLASS I - HIGH VOLTAGE, EARTH REQUIRED
<b>IP rating</b>	IP43

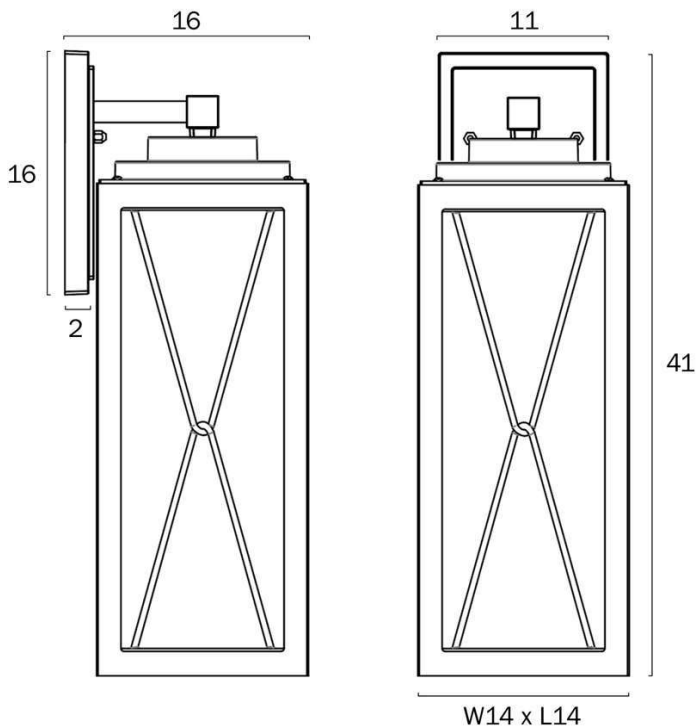
All representations within this document are subject to copyright. ELECTRICAL INSTALLATIONS MUST BE PERFORMED BY A QUALIFIED ELECTRICAL CONTRACTOR AND INSTALLED IN ACCORDANCE WITH AS/NZS 3000.  
NOTE : All images , descriptions and dimensions are indicative. Please check latest version of item detail on Telbix website prior to ordering or installation.

<b>Lead and Plug</b>	No
<b>Approvals</b>	RCM
<b>Installation Required</b>	Yes (by Licensed Electrician only)
<b>Care Instructions</b>	Aluminium, Brass and Stainless Steel will naturally oxidised and change overtime. Exterior products require regular four (4) monthly cleaning and maintenance to ensure they do not accumulate dirt or other environmental deposits. Wipe the product with a mild detergent and warm water to remove surface deposits. Rinse with fresh water and wipe dry with a soft cloth. An extra temporary protection barrier of water displacement oil can help to maintain the surface, such as WD40, sprayed onto a soft cloth and rubbed onto the surface., Do not use strong liquid cleaners, Wipe clean with a dry cloth
<b>Replacement Warranty</b>	*3 Years

Barcode

**GTIN** 9329501069110

Image -dimensions



Note: Dimensions are only a guide and may vary due to manufacturing variations.