

INSTALLATION

Macro downlight

Specification	MACRO DL105-BK3C	MACRO DL105-WH3C
Item Name	MACRO DL105-BK3C	MACRO DL105-WH3C
Driver		
Watt	9	
Input	240 v	
Lumen	710-920Lm	
CCT	3000K-4000K-5000K	
Diameter	106	
Height	68	

GENERAL INSTRUCTIONS

Please read the operating instructions for this luminaire before use. The operating instructions are part of the product. They contain important notes on start-up and handling of the fixture. Always keep the enclosed operating instructions. They should be passed on to third parties.

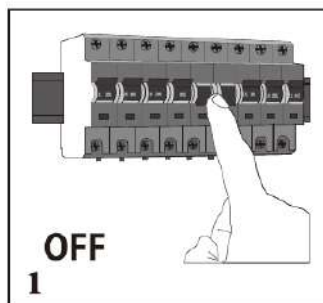
SAFETY PRECAUTIONS

The user must observe the safety notes and warnings in order to maintain and ensure safe operation. Ensure sufficient ventilation of the device. Never cover it during operation. Do not instal in reach of children. Any use of the device other than described above can damage the product or endanger the user due to electric shock, fire or short circuit. The entire product may not be modified.

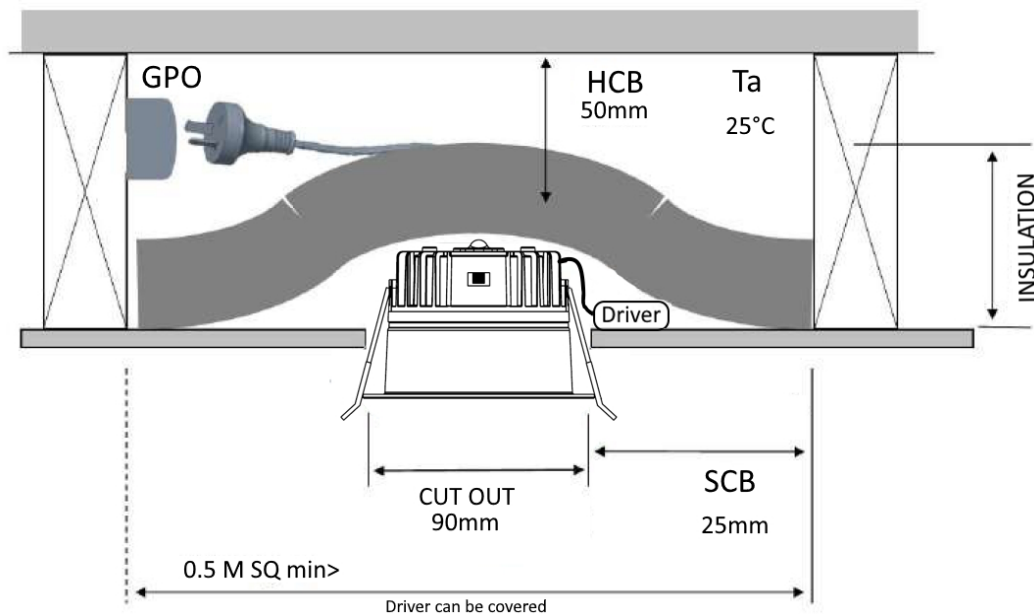
Installations must be performed by a qualified Electrical Contractor in accordance of the current wiring standard AS/NZS 3000.
5 YEAR REPLACEMENT WARRANTY*
 with Proof of purchase and electrical installation certificate.

CARE and WARRANTY

Before cleaning the fixture, disconnect it if necessary from other components, do not use aggressive cleaning agents. The fixture has been carefully checked for defects. If you do find a quality or operational issue, please advise your reseller together with your proof of purchase and installation certificate. We reserve the right to make technical modifications.



Recommended Dimmer
TLD 250
 OR
 Rotary type LED Trailing



IMPORTANT

Insulation class IC-4 covered. Must be of a type that can maintain its dimension and structural rigidity when exposed to maximum surface temperatures of this class of luminaire, being 90°C, and tested in accordance with AS/NZS 60695.11.5

Insulation type as tested in glass wool (pink batt)

LOOSE FILL INSULATION IS NOT PERMITTED



Contact us : 03 9309 9060 or sales@telbix.com